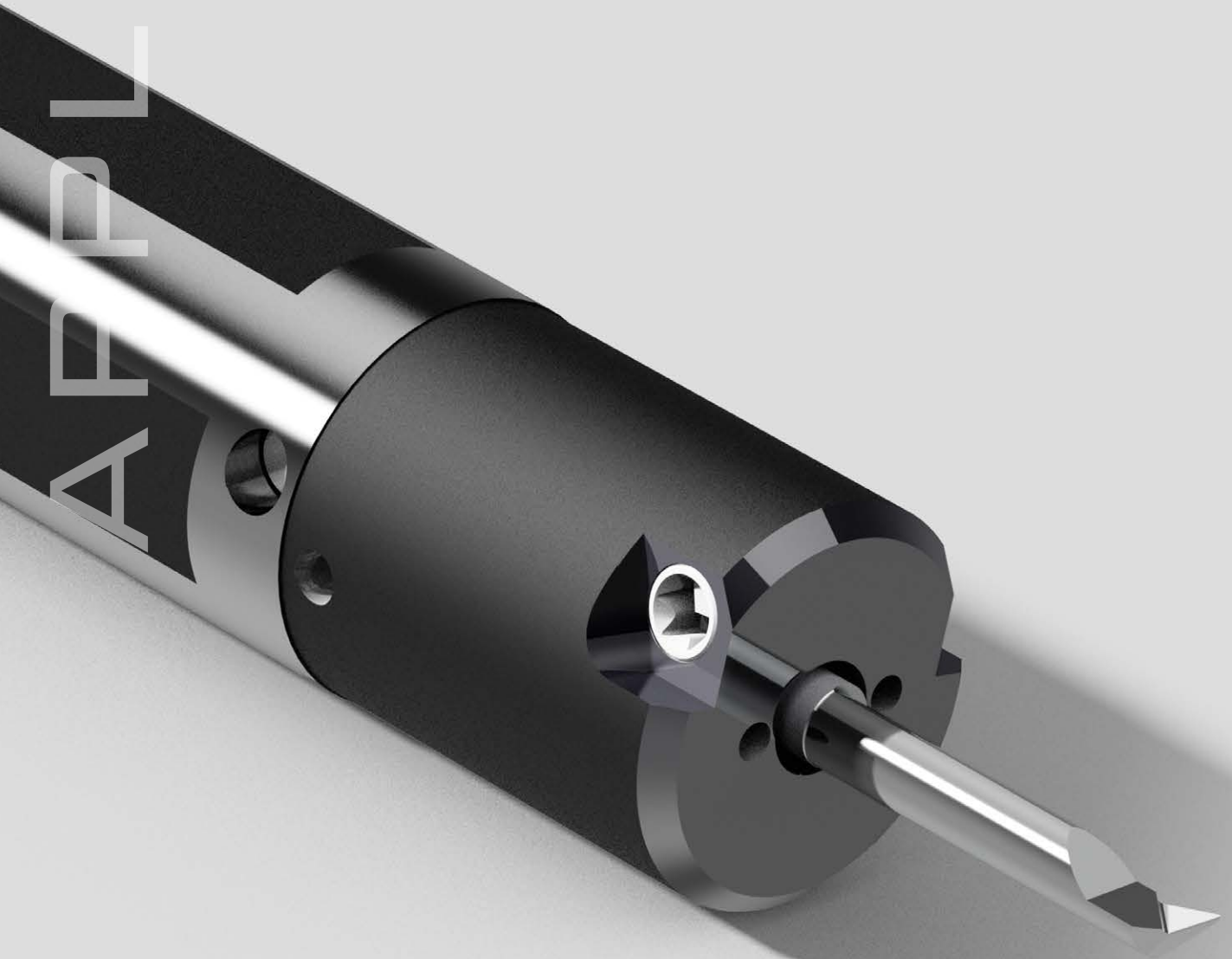


IN-Line



Applitec Moutier S.A.
Ch. Nicolas-Junker 2
CH-2740 Moutier

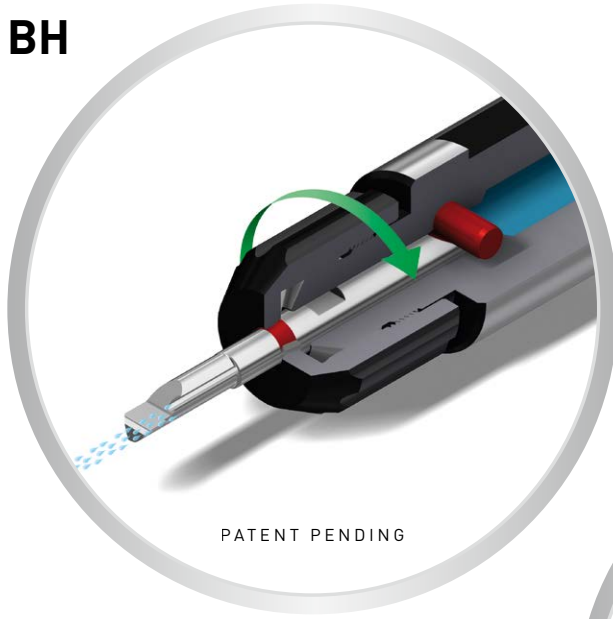
APPLITEC
SWISS TOOLING

Tél. +41 32 494 60 20
Fax +41 32 493 42 60
www.applitec-tools.com

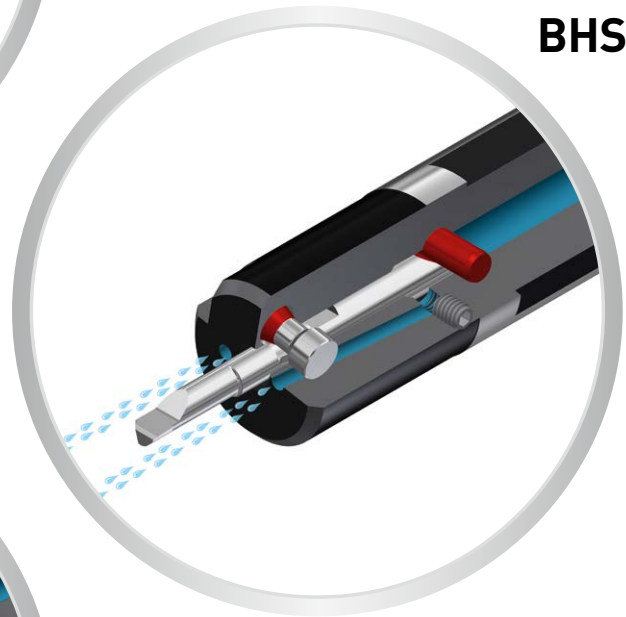
IN-Line

APPLITEC

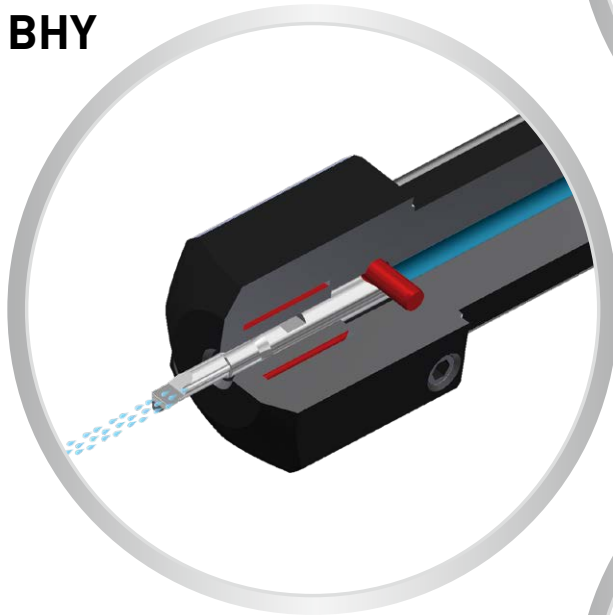
BH



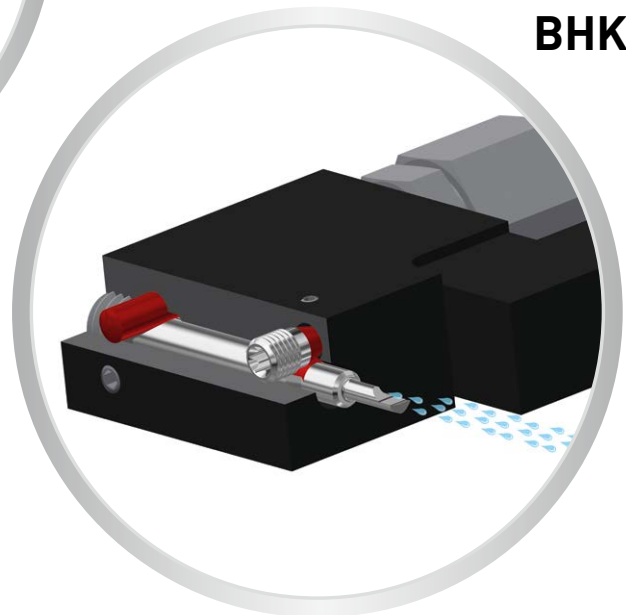
BHS

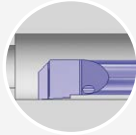
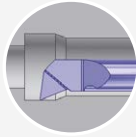
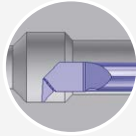
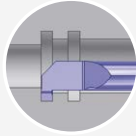
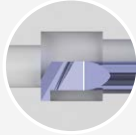
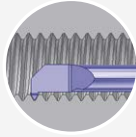

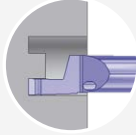


BHY



BHK



| | | | |
|---|--|--|------|
| Système de désignation Bezeichnungssystem Designation system | Info | | > 2 |
| Nuances ^{NEW} & paramètres de coupe Sorten ^{NEW} & Schnittwerte Grades ^{NEW} & machining data | | | > 8 |
| Porte-outils Halter Holders | BH / BHS / BHY / BHK | | > 10 |
| Alésage Ausbohren Boring | BA / BAX |  | > 18 |
| Alésage-copiage Ausbohren-kopieren Boring chambering | BCX |  | > 22 |
| Copiage Kopieren Chambering | C45 / C45X |  | > 24 |
| Gorge Einstechen Grooving | GX |  | > 28 |
| Foncer-tourner Einstechen und drehen Grooving and turning | GTX ^{NEW} |  | > 30 |
| Filetage Gewindedrehen Threading | TP60° / TP55° ^{NEW} / TM |  | > 32 |
| Gorge frontale Axiales stechen Axial grooving | FEG / FIG |   | > 38 |
| Ebauches / Jauges d'alignement / Adaptations machines ^{NEW} / Accessoires Rohlinge / Richtplatten / Maschinenanpassungen ^{NEW} / Zubehöre Blanks / Adjusting tools / Machines adapters ^{NEW} / Accessories | | | > 40 |

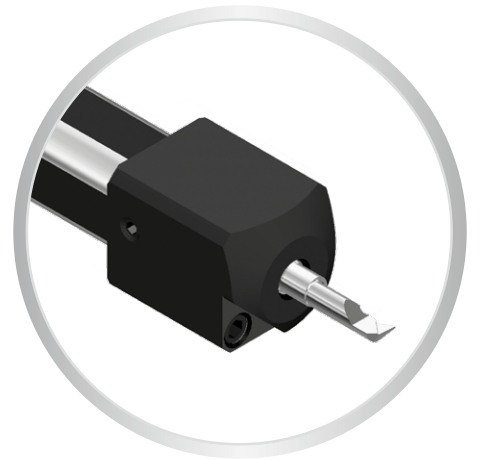
IN-Line

Système de désignation des porte-outils

Halter Bezeichnungssystem

Holder designation system

BH / BHS / BHY



H

HS

HY

B

H

4

-

D

20

-

100

Longueur
Länge
Length

Ø queue
Schaft Ø
Shank Ø

Queue cylindrique
Zylindrischer Schaft
Cylindrical shank

Ø alésage
Bohrung Ø
Bore Ø

Porte-outils
Halter
Holders

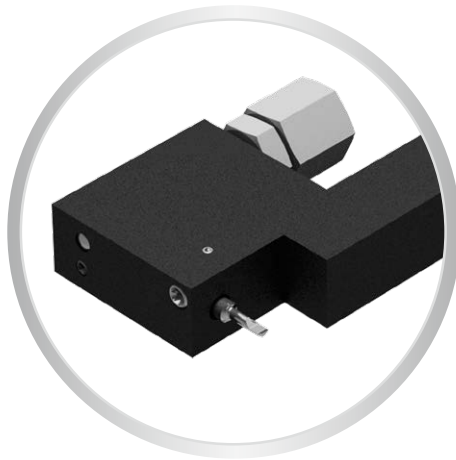
Ligne produit d'alésage
Innendrehen Produktlinie
Boring product line

Système de désignation des porte-outils

Halter Bezeichnungssystem

Holder designation system

BHK



HK

B **HK** **4** **N** **-** **20** **-** **32R**

Barres d'alésages compatibles (longueur L3)
Kompatible Bohrstangen (Länge L3)
Compatible boring bars (length L3)

∅ queue
Schaft ∅
Shank ∅

Géométrie du porte-outil
Haltergeometrie
Tool holder geometry

∅ alésage
Bohrung ∅
Bore ∅

Porte-outils
Halter
Holders

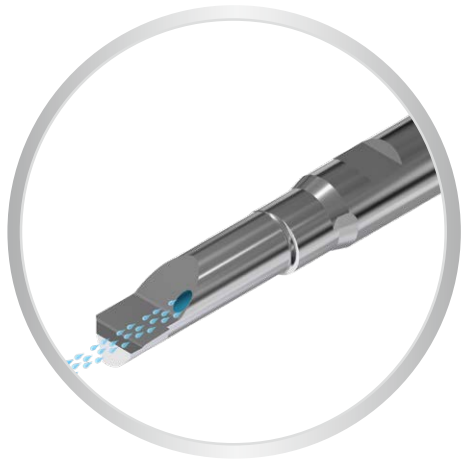
Ligne produit d'alésage
Innendrehen Produktlinie
Boring product line

IN-Line

Système de désignation des barres d'alésage

Bohrstangen Bezeichnungssystem

Boring bars designation system



B

F

B B 4 R - 25 - 75 - BAX - R05 - ZN

B

B

4

R

-

25

-

75

-

BAX

-

R05

-

ZN

Longueur utile
Effective Nutzlänge
Length

∅ minimal
Minimal ∅
Minimum ∅

Nuance
Sorte
Grade

Indication complémentaire
Zusätzliche Angabe
Additional indication
R = rayon / Radius / radius

Exécution R/L
Ausführung R/L
Execution R/L

Géométries de coupe
Schneidgeometrien
Cutting geometries

∅ queue
Schaft ∅
Shank ∅

B = arrosage intégré
B = integrierter Kühlmittelzufuhr
B = integrated coolant supply

F = sans arrosage
F = ohne Kühlung
F = without coolant

Ligne produit d'alésage
Innendrehen Produktlinie
Boring product line

Porte-outils avec écrou de serrage

Halter mit Spannmutter

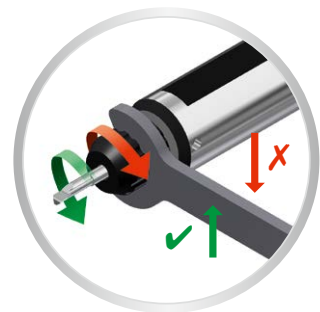
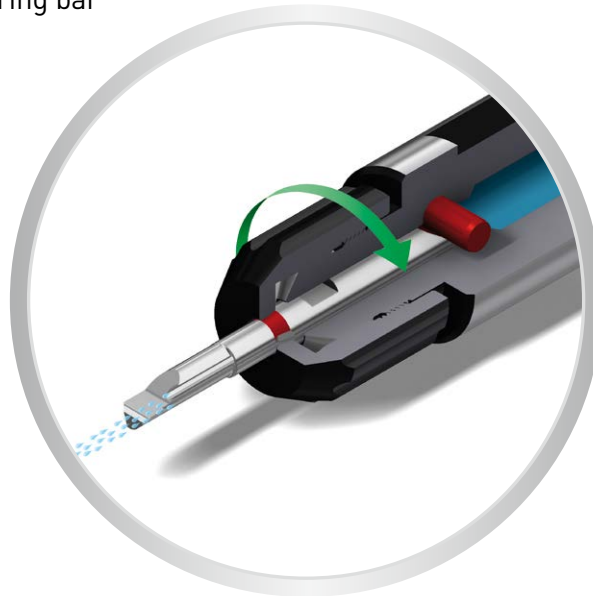
Tool holder with clamping nut

BH

Arrosage par la barre d'alésage

Kühlung durch die Bohrstange

Cooling through the boring bar



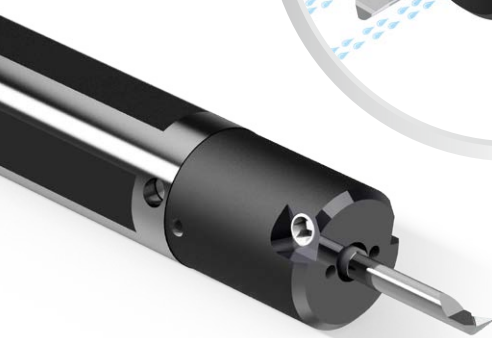
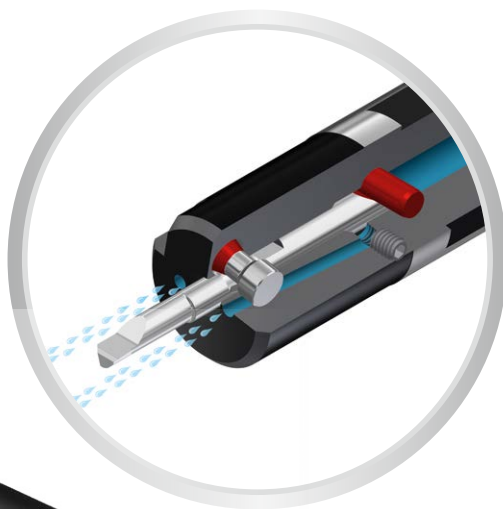
Porte-outils avec arrosage multiple

Halter mit mehrfaches Kühlungssystem

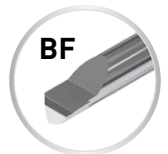
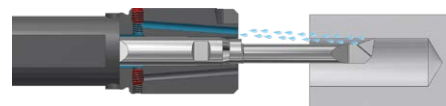
Tool holders with multiple coolant system

BHS

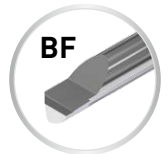
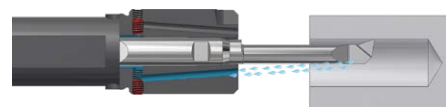
Système de serrage à vis transversale
Querverschraubungssystem
Clamping system with transverse screw



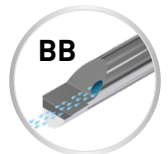
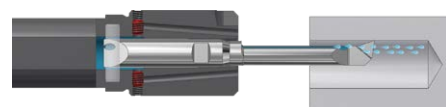
Arrosage sur l'arête de coupe
Kühlung auf der Schneidkante
Cooling on the cutting edge



Arrosage favorisant l'évacuation des copeaux
Spanabfuhr fördernde Kühlung
Cooling for better chip outflow



Arrosage par le centre de l'outil
Zentrale Kühlmittelzufuhr
Cooling through the center of the tool



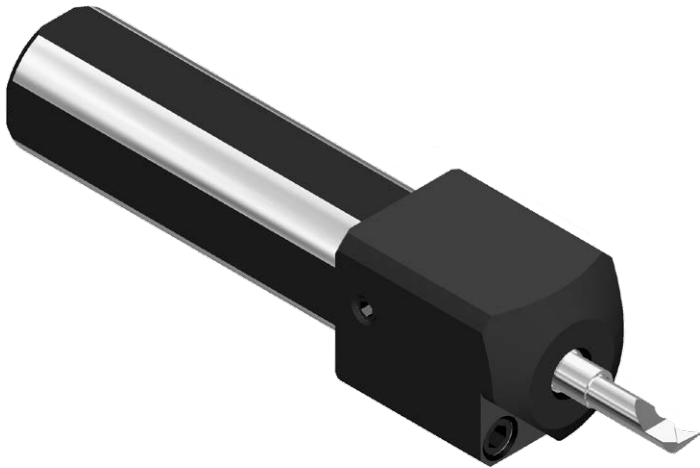
IN-Line

Porte-outils à serrage hydraulique

Halter mit Hydro-Dehnspann-System

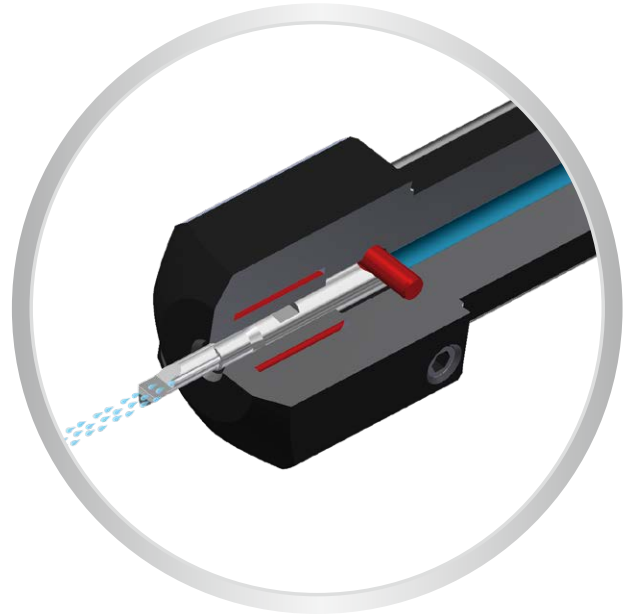
Tool holders with hydraulic clamping system

BHY



Excellente absorption des vibrations!
Ausgezeichnete Schwingungsdämpfung!
Excellent vibration absorption!

Arrosage par la barre d'alésage
Kühlung durch die Bohrstange
Cooling through the boring bar



Porte-outils coudés

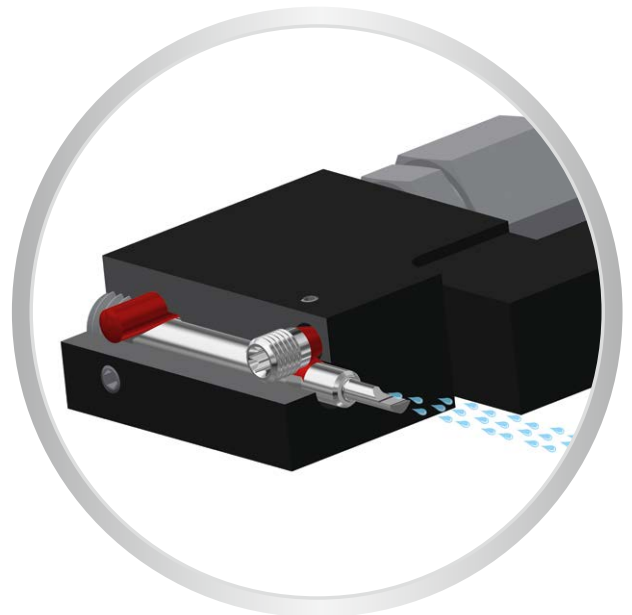
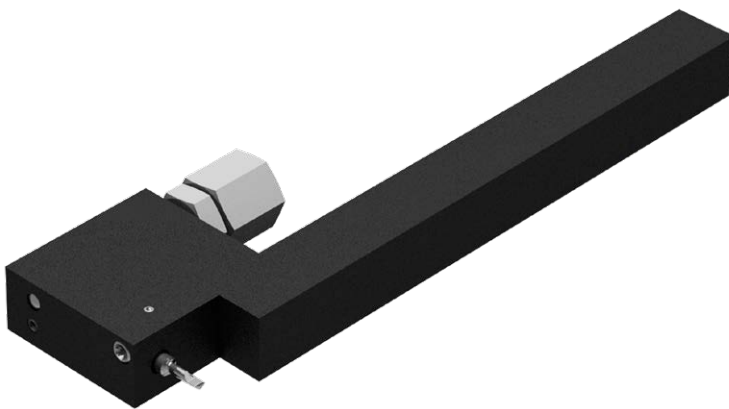
Gekröpfte Halter

Cranked tool holders

BHK

Système de serrage à vis transversale
Querverschraubungssystem
Clamping system with transverse screw

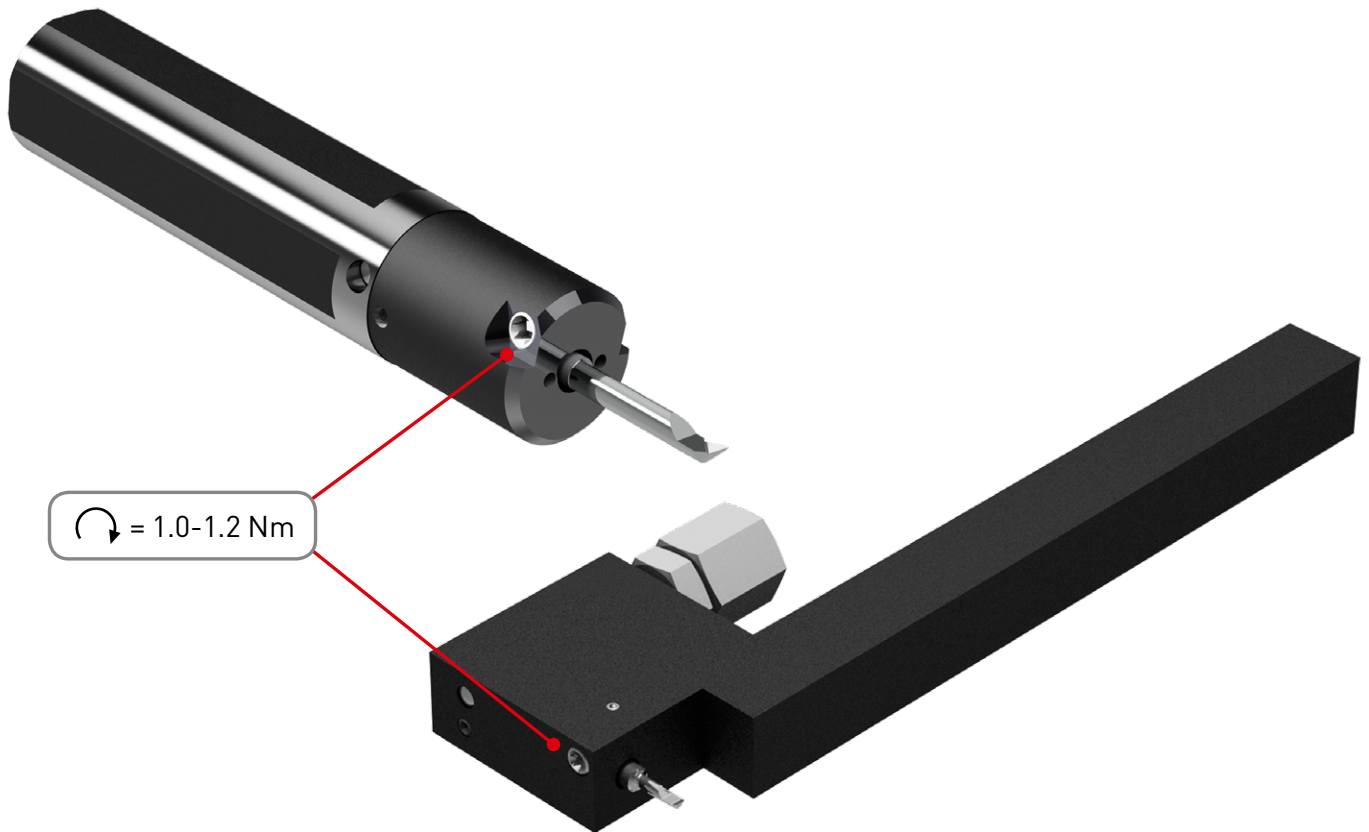
Arrosage par la barre d'alésage
Kühlung durch die Bohrstange
Cooling through the boring bar



Accessoires de serrage

Spannzubehöre

Clamping accessories



Nous recommandons le serrage des porte-outils types BHS et BHK avec ce type de tournevis dynamométrique.

Wir empfehlen für das Anziehen der Halter Typ BHS und BHK diese Art von Drehmomentschraubendreher.

For holders type BHS and BHK clamping, we recommend this kind of torque screwdriver.



Art. N°

SET-NM1.2-TX8

ZTAF

ZN + revêtement PVD
ZN + PVD Beschichtung
ZN + PVD coating

- nuance universelle pour l'usinage des aciers, aciers inoxydables, aciers alliés, alliage de titane
- bonne résistance à la température

- Universalsorte für die Bearbeitung von Stahl, rostfreiem Stahl, Stahllegierung, Titanlegierung
- gute Warmfestigkeit

- universal grade for steel, stainless steel, alloyed steel, titanium alloys
- good heat resistance



ZTAXF

ZN + revêtement PVD
ZN + PVD Beschichtung
ZN + PVD coating

- nuance très résistante à l'usure et à la température, recommandée pour l'usinage des matières suivantes: Inox 304, 316L, 317L, 904, Finox
- aciers alliés contenant: Chrome Nickel, Vanadium, Molybdène, ...

- sehr verschleissfeste und temperaturbeständige Sorte. Für folgende Materialien empfohlen: Inox 304, 316L, 317L, 904, Finox
- legierter Stahl enthaltend: Chrom-Nickel, Vanadium, Molybdän, ...

- very wear and high temperature resistant grade. Recommended for following material: Inox 304, 316L, 317L, 904, Finox
- alloy steel containing: Chrome-nickel, Vanadium, Molybdenum, ...

ZN

non revêtu
unbeschichtet
uncoated

- nuance de base micro-grain tenace
- 1^{er} choix pour l'usinage des métaux non ferreux

- zähe Basis Feinkornsorte
- beste Wahl für die Bearbeitung von Nichteisenmetalle

- tough base micro-grain grade
- first choice for non-ferrous materials

Paramètres de coupe

Schnittwerte

Machining data

| Matière Werkstoff Material | VC (m/min) | Ø barre d'alésage Bohrstange Ø boring bar Ø | | |
|--|---------------|---|-----------------------|-----------------------|
| | | Ø1.0 - Ø2.0 (mm/U) | Ø2.5 - Ø4.0 (mm/U) | Ø4.5 - Ø5.5 (mm/U) |
| Acier de décolletage Automatenstahl Free-cutting steel | 60-100 | 0.02-0.03 | 0.02-0.08 | 0.03-0.10 |
| Acier faiblement allié Leicht legierter Stahl Low alloyed steel | 50-80 | 0.01-0.03 | 0.02-0.05 | 0.03-0.06 |
| Acier fortement allié Legierter Stahl High alloyed steel | 40-60 | 0.01-0.02 | 0.02-0.04 | 0.02-0.06 |
| Acier inoxydable Rostfreistahl Stainless steel | 40-90 | 0.01-0.03 | 0.02-0.05 | 0.03-0.08 |
| Aluminium | 60-150 | 0.01-0.03 | 0.02-0.06 | 0.03-0.10 |
| Titane Titan Titanium | 30-70 | 0.01-0.03 | 0.02-0.05 | 0.03-0.10 |
| Cuivre, laiton, bronze Kupfer, Messing, Bronze Copper, brass, bronze | 60-150 | 0.01-0.03 | 0.02-0.05 | 0.03-0.08 |

IN-Line

Porte-outils avec écrou de serrage

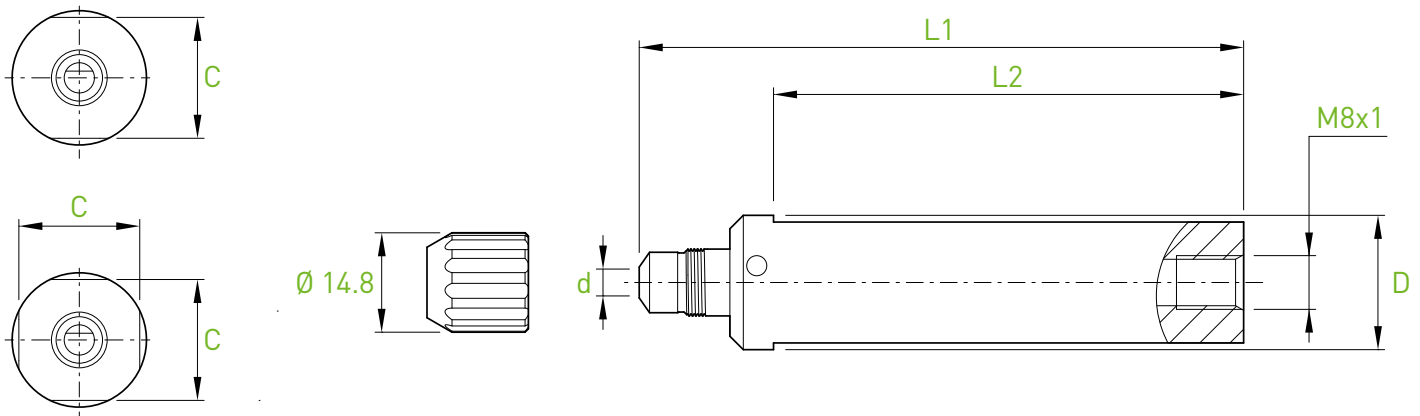
Halter mit Spannmutter

Tool holder with clamping nut

BH4...



> page 5



| d | Bars | D | L1 | L2 | C | 2 flats | 4 flats | Art. N° |
|------|------------------|-------|------|-----|------|---------------|---------|----------------|
| 4 | BB4... BF4... | 10 | 75 | 55 | 8.8 | ■ | | BH4-D10-75 |
| | | 12 | 75 | 55 | 11.2 | ■ | | BH4-D12-75 |
| | | 12.7 | 75 | 55 | 11.2 | ■ | | BH4-D12.7-75 |
| | | 15.87 | 75 | 55 | 14 | ■ | | BH4-D15.87-75 |
| | | 16 | 75 | 55 | 14 | ■ | | BH4-D16-75 |
| | | 16 | 75 | 55 | 14 | | ■ | BH4-D16-75-F4 |
| | | 19.05 | 90 | 70 | 17 | ■ | | BH4-D19.05-90 |
| | | 20 | 90 | 70 | 18 | ■ | | BH4-D20-90 |
| | | 20 | 90 | 70 | 18 | | ■ | BH4-D20-90-F4 |
| | | 20 | 160 | 140 | 18 | | ■ | BH4-D20-160-F4 |
| | | 22 | 90 | 70 | 20 | ■ | | BH4-D22-90 |
| | | 22 | 90 | 70 | 20 | | ■ | BH4-D22-90-F4 |
| | | 22 | 130 | 110 | 20 | | ■ | BH4-D22-130-F4 |
| | | 25 | 100 | 80 | 23 | ■ | | BH4-D25-100 |
| | | 25 | 100 | 80 | 23 | | ■ | BH4-D25-100-F4 |
| | | 25 | 170 | 150 | 23 | | ■ | BH4-D25-170-F4 |
| 25.4 | 100 | 80 | 23.4 | ■ | | BH4-D25.4-100 | | |
| 28 | 100 | 80 | 26 | ■ | | BH4-D28-100 | | |

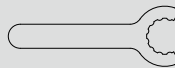
Pièces de rechange
Ersatzteile
Spare parts



Art. N°

BH4...

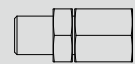
BH4-M10



Art. N°

C-BH4-M10

Option



Art. N°

BH4...

J-M8x1-D6

Porte-outils avec écrou de serrage

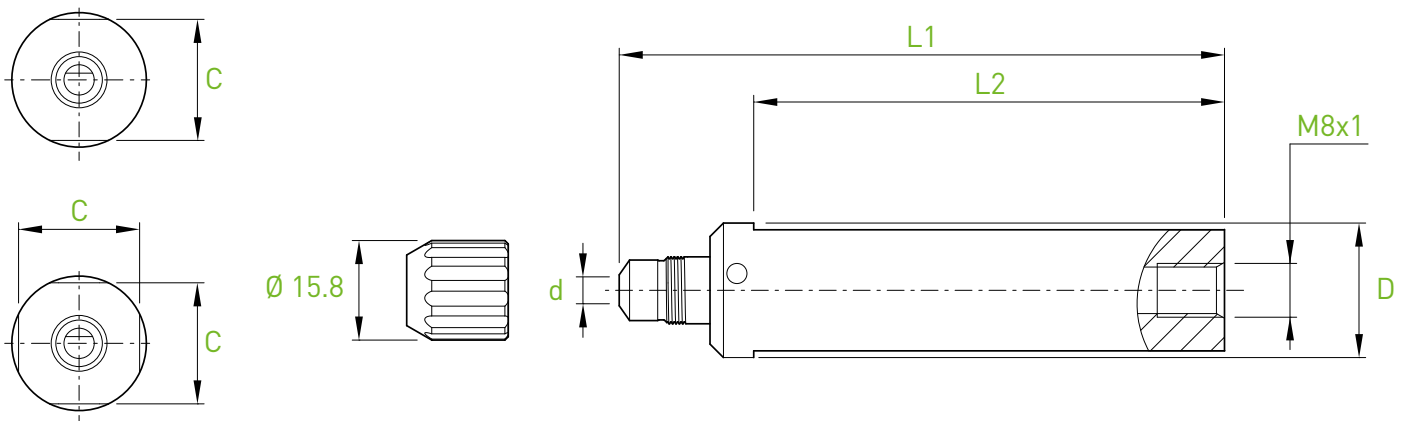
Halter mit Spannmutter

Tool holder with clamping nut

BH6...



> page 5



| d | Bars | D | L1 | L2 | C | 2 flats | 4 flats | Art. N° |
|----|------------------|-------|-----|-----|------|-------------|---------|----------------|
| 6 | BB6... BF6... | 12 | 75 | 55 | 11.2 | ■ | | BH6-D12-75 |
| | | 12.7 | 75 | 55 | 11.2 | ■ | | BH6-D12.7-75 |
| | | 15.87 | 75 | 55 | 14 | ■ | | BH6-D15.87-75 |
| | | 16 | 75 | 55 | 14 | ■ | | BH6-D16-75 |
| | | 19.05 | 90 | 70 | 17 | ■ | | BH6-D19.05-90 |
| | | 20 | 90 | 70 | 18 | ■ | | BH6-D20-90 |
| | | 20 | 90 | 70 | 18 | | ■ | BH6-D20-90-F4 |
| | | 20 | 160 | 140 | 18 | | ■ | BH6-D20-160-F4 |
| | | 22 | 90 | 70 | 20 | ■ | | BH6-D22-90 |
| | | 22 | 90 | 70 | 20 | | ■ | BH6-D22-90-F4 |
| | | 22 | 130 | 110 | 20 | | ■ | BH6-D22-130-F4 |
| | | 25 | 100 | 80 | 23 | ■ | | BH6-D25-100 |
| | | 25 | 100 | 80 | 23 | | ■ | BH6-D25-100-F4 |
| | | 25 | 170 | 150 | 23 | | ■ | BH6-D25-170-F4 |
| | | 25.4 | 100 | 80 | 23.4 | ■ | | BH6-D25.4-100 |
| 28 | 100 | 80 | 26 | ■ | | BH6-D28-100 | | |

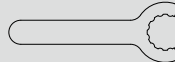
Pièces de rechange
Ersatzteile
Spare parts



Art. N°

BH6...

BH6-M12



Art. N°

C-BH6-M12

Option



Art. N°

BH6...

J-M8x1-D6

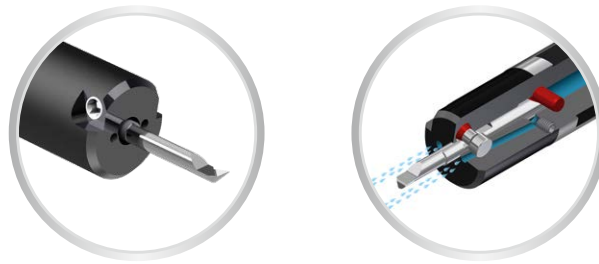
IN-Line

Porte-outils avec arrosage multiple

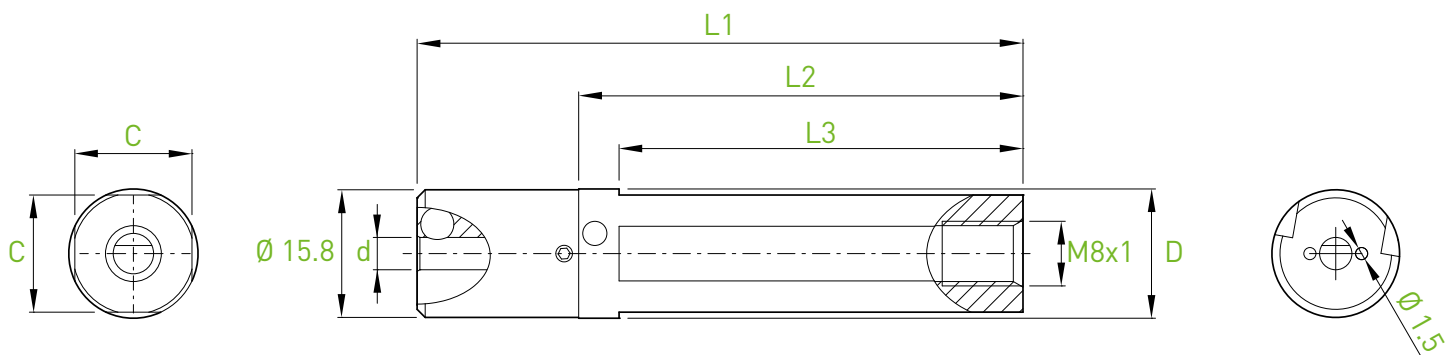
Halter mit mehrfaches Kühlungssystem

Tool holders with multiple coolant system

BHS4...

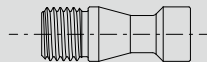


> page 5/7



| d | Bars | D | L1 | L2 | L3 | C | Art. N° |
|----|------------------|-------|-----|-----|------------------------|------|--------------------------|
| 4 | BB4... BF4... | 10 | 75 | 55 | 50 | 9.2 | BHS4-D10-75-F4 |
| | | 12 | 75 | 55 | 50 | 11 | BHS4-D12-75-F4 |
| | | 12.7 | 75 | 55 | 50 | 11.7 | BHS4-D12.7-75-F4 |
| | | 15.87 | 75 | 55 | 50 | 14.5 | BHS4-D15.87-75-F4 |
| | | 16 | 75 | 55 | 50 | 14.5 | BHS4-D16-75-F4 |
| | | 19.05 | 90 | 70 | 65 | 17 | BHS4-D19.05-90-F4 |
| | | 20 | 90 | 70 | 65 | 18 | BHS4-D20-90-F4 |
| | | 20 | 160 | 140 | 135 | 18 | BHS4-D20-160-F4 |
| | | 22 | 90 | 70 | 65 | 20 | BHS4-D22-90-F4 |
| | | 22 | 130 | 110 | 105 | 20 | BHS4-D22-130-F4 |
| | | 25 | 100 | 80 | 75 | 23 | BHS4-D25-100-F4 |
| | | 25 | 170 | 150 | 145 | 23 | BHS4-D25-170-F4 |
| | | 25.4 | 100 | 80 | 75 | 23 | BHS4-D25.4-100-F4 |
| 28 | 100 | 80 | 75 | 26 | BHS4-D28-100-F4 | | |

Pièces de rechange
Ersatzteile
Spare parts



Art. N°

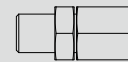
V-BHS-M4x0.5-T8



Art. N°

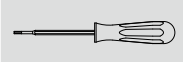
C-T8

Option



Art. N°

BHS4... J-M8x1-D6

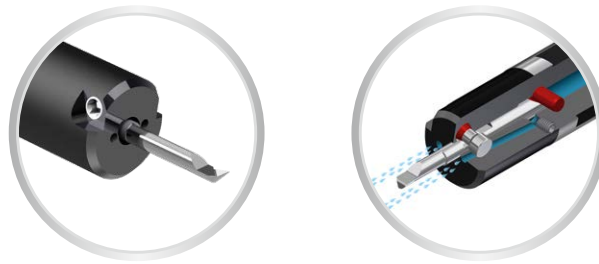


Art. N°

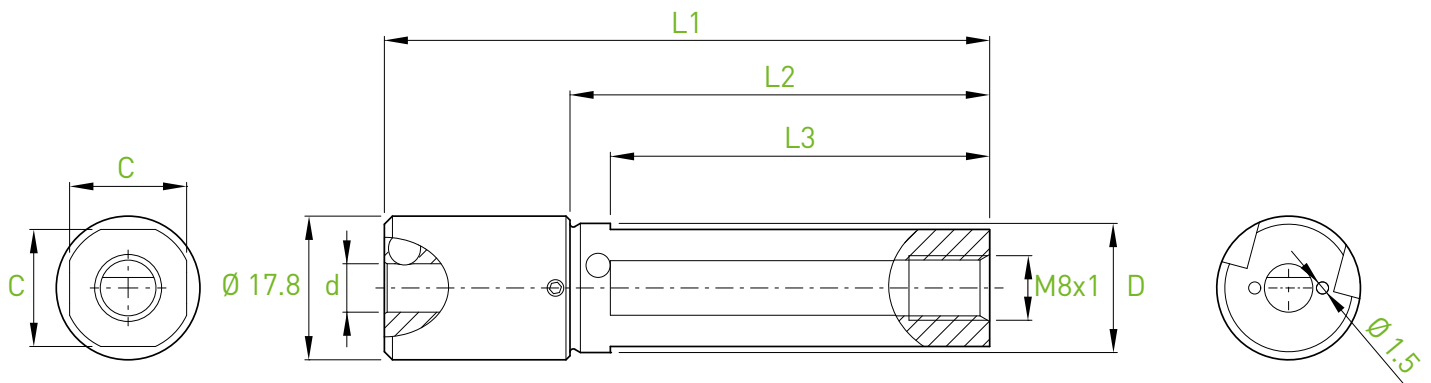
SET-NM1.2-TX8

Porte-outils avec arrosage multiple
 Halter mit mehrfaches Kühlungssystem
 Tool holders with multiple coolant system

BHS6...

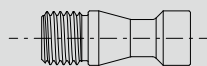


> page 5/7



| d | Bars | D | L1 | L2 | L3 | C | Art. N° |
|----|------------------|-------|-----|-----|-----------------|------|-------------------|
| 6 | BB6... BF6... | 12 | 75 | 52 | 47 | 11 | BHS6-D12-75-F4 |
| | | 12.7 | 75 | 52 | 47 | 11.7 | BHS6-D12.7-75-F4 |
| | | 15.87 | 75 | 52 | 47 | 14.5 | BHS6-D15.87-75-F4 |
| | | 16 | 75 | 52 | 47 | 14.5 | BHS6-D16-75-F4 |
| | | 19.05 | 90 | 67 | 62 | 17 | BHS6-D19.05-90-F4 |
| | | 20 | 90 | 67 | 62 | 18 | BHS6-D20-90-F4 |
| | | 20 | 160 | 137 | 132 | 18 | BHS6-D20-160-F4 |
| | | 22 | 90 | 67 | 62 | 20 | BHS6-D22-90-F4 |
| | | 22 | 130 | 107 | 102 | 20 | BHS6-D22-130-F4 |
| | | 25 | 100 | 77 | 72 | 23 | BHS6-D25-100-F4 |
| | | 25 | 170 | 147 | 142 | 23 | BHS6-D25-170-F4 |
| | | 25.4 | 100 | 77 | 72 | 23 | BHS6-D25.4-100-F4 |
| 28 | 100 | 77 | 72 | 26 | BHS6-D28-100-F4 | | |

Pièces de rechange
 Ersatzteile
 Spare parts



Art. N°

BHS6...

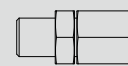
V-BHS-M4x0.5-T8



Art. N°

C-T8

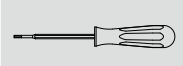
Option



Art. N°

BHS6...

J-M8x1-D6



Art. N°

SET-NM1.2-TX8

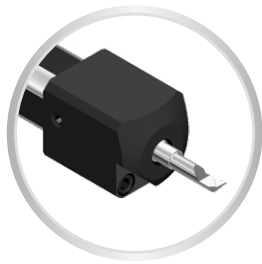
IN-Line

Porte-outils à serrage hydraulique

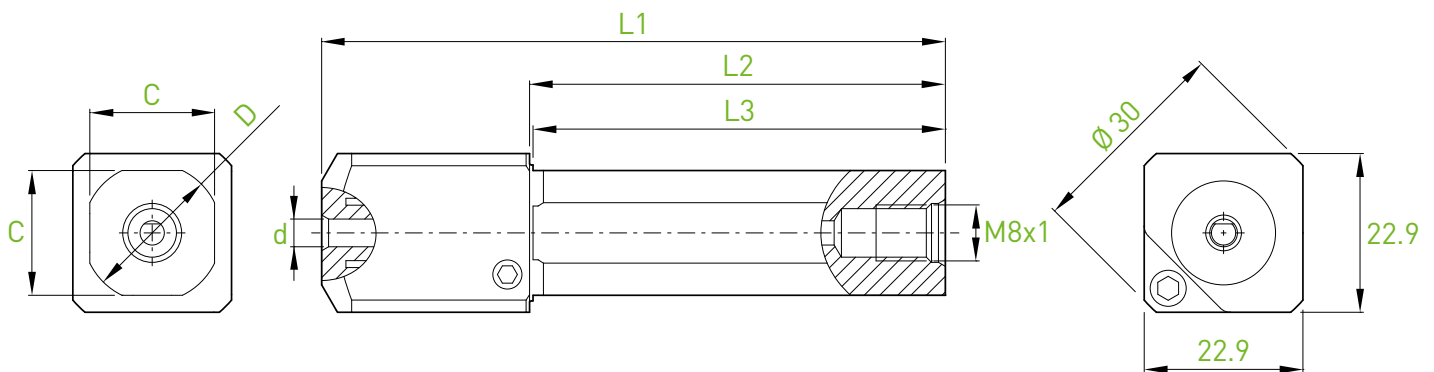
Halter mit Hydro-Dehnspann-System

Tool holders with hydraulic clamping system

BHY4...

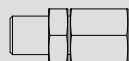


> page 6



| d | Bars | D | L1 | L2 | L3 | C | Art. N° |
|---|------------------|-------|-----|----|------|------|--------------------------|
| 4 | BB4... BF4... | 12 | 90 | 60 | 59.5 | 11.2 | BHY4-D12-90-F4 |
| | | 16 | 90 | 60 | 59.5 | 14.5 | BHY4-D16-90-F4 |
| | | 19.05 | 90 | 60 | 59.5 | 17 | BHY4-D19.05-90-F4 |
| | | 20 | 90 | 60 | 59.5 | 18 | BHY4-D20-90-F4 |
| | | 22 | 90 | 60 | 59.5 | 20 | BHY4-D22-90-F4 |
| | | 25 | 100 | 70 | 70 | 23 | BHY4-D25-100-F4 |

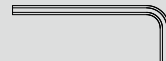
Pièces de rechange
Ersatzteile
Spare parts



Art. N°

BHY4...

J-M8x1-D6

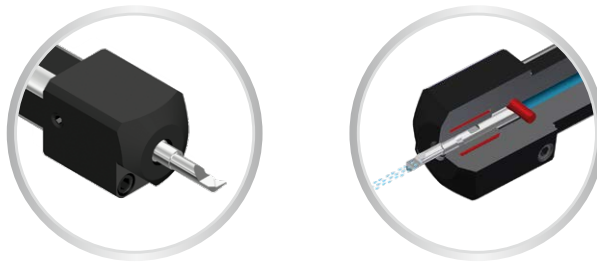


Art. N°

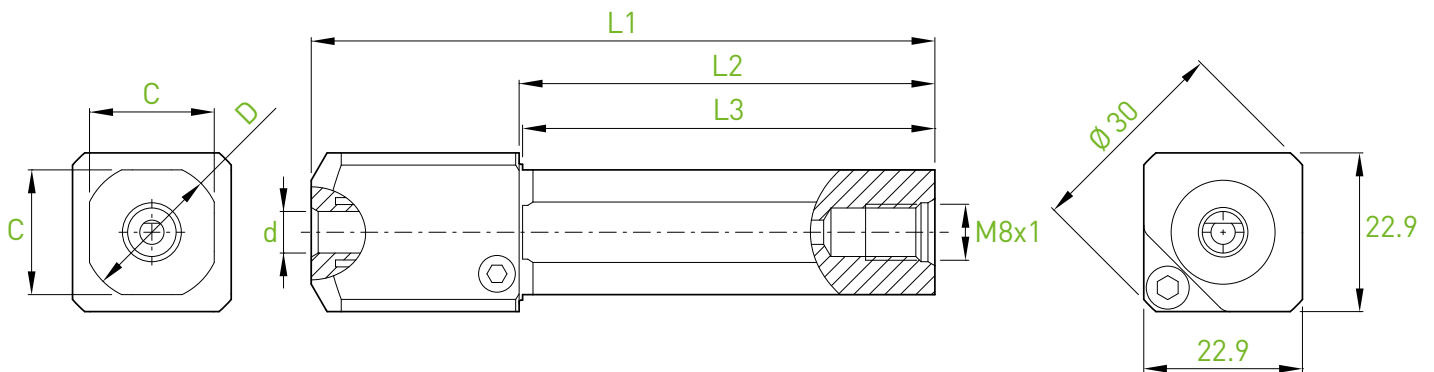
C-6P-3.0

Porte-outils à serrage hydraulique
 Halter mit Hydro-Dehnspann-System
 Tool holders with hydraulic clamping system

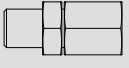

BHY6...



> page 6



| d | Bars | D | L1 | L2 | L3 | C | Art. N° |
|---|------------------|-------|-----|----|------|------|-------------------|
| 6 | BB6... BF6... | 12 | 90 | 60 | 59.5 | 11.2 | BHY6-D12-90-F4 |
| | | 16 | 90 | 60 | 59.5 | 14.5 | BHY6-D16-90-F4 |
| | | 19.05 | 90 | 60 | 59.5 | 17 | BHY6-D19.05-90-F4 |
| | | 20 | 90 | 60 | 59.5 | 18 | BHY6-D20-90-F4 |
| | | 22 | 90 | 60 | 59.5 | 20 | BHY6-D22-90-F4 |
| | | 25 | 100 | 70 | 70 | 23 | BHY6-D25-100-F4 |

| Pièces de rechange Ersatzteile Spare parts |  Art. N° |  Art. N° |
|--|--|--|
| BHY6... | J-M8x1-D6 | C-6P-3.0 |

IN-Line

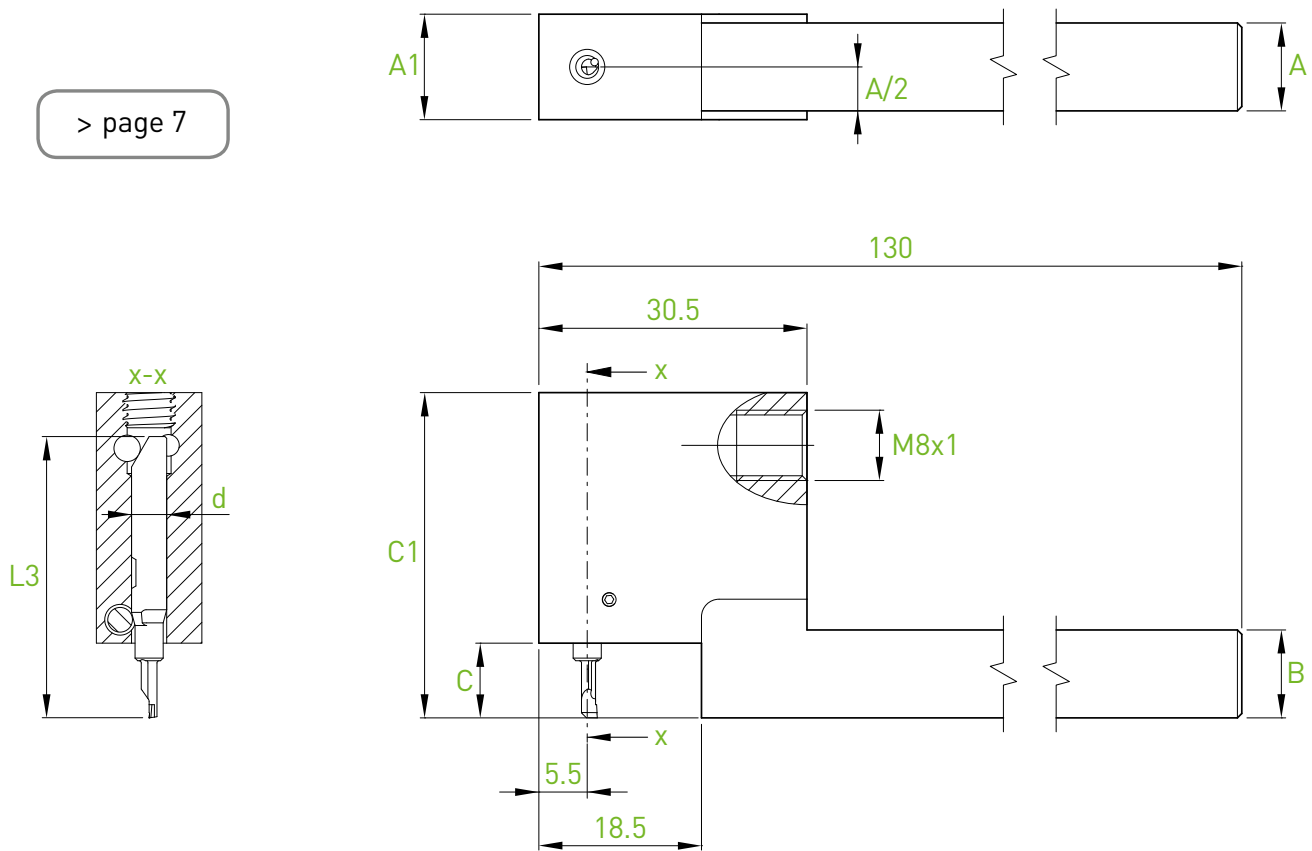
Porte-outils coudés

Kröpfhalter

Cranked tool holders

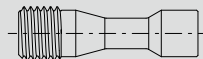
BHK4N...

> page 7



| d | Compatible bars L3 | A | B | C | C1 | A1 | Art. N° |
|---|--------------------|----|----|------|----|----|-----------------|
| 4 | 32 | 8 | 8 | 8.5 | 37 | 12 | BHK4N-0808X-32R |
| | | 10 | 10 | 8.5 | 37 | 12 | BHK4N-1010X-32R |
| | | 12 | 12 | 8.5 | 37 | 12 | BHK4N-1212X-32R |
| | | 16 | 16 | 8.5 | 37 | 16 | BHK4N-1616X-32R |
| | 37 | 8 | 8 | 13.5 | 42 | 12 | BHK4N-0808X-37R |
| | | 10 | 10 | 13.5 | 42 | 12 | BHK4N-1010X-37R |
| | | 12 | 12 | 13.5 | 42 | 12 | BHK4N-1212X-37R |
| | | 16 | 16 | 13.5 | 42 | 16 | BHK4N-1616X-37R |
| | 42 | 10 | 10 | 18.5 | 47 | 12 | BHK4N-1010X-42R |
| | | 12 | 12 | 18.5 | 47 | 12 | BHK4N-1212X-42R |
| | | 16 | 16 | 18.5 | 47 | 16 | BHK4N-1616X-42R |

Pièces de rechange
Ersatzteile
Spare parts



Art. N°

BHK4N...

V-BHK-M4x0.5-T8



Art. N°

C-T8

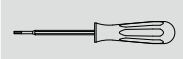
Option



Art. N°

BHK4N...

J-M8x1-D6



Art. N°

SET-NM1.2-TX8

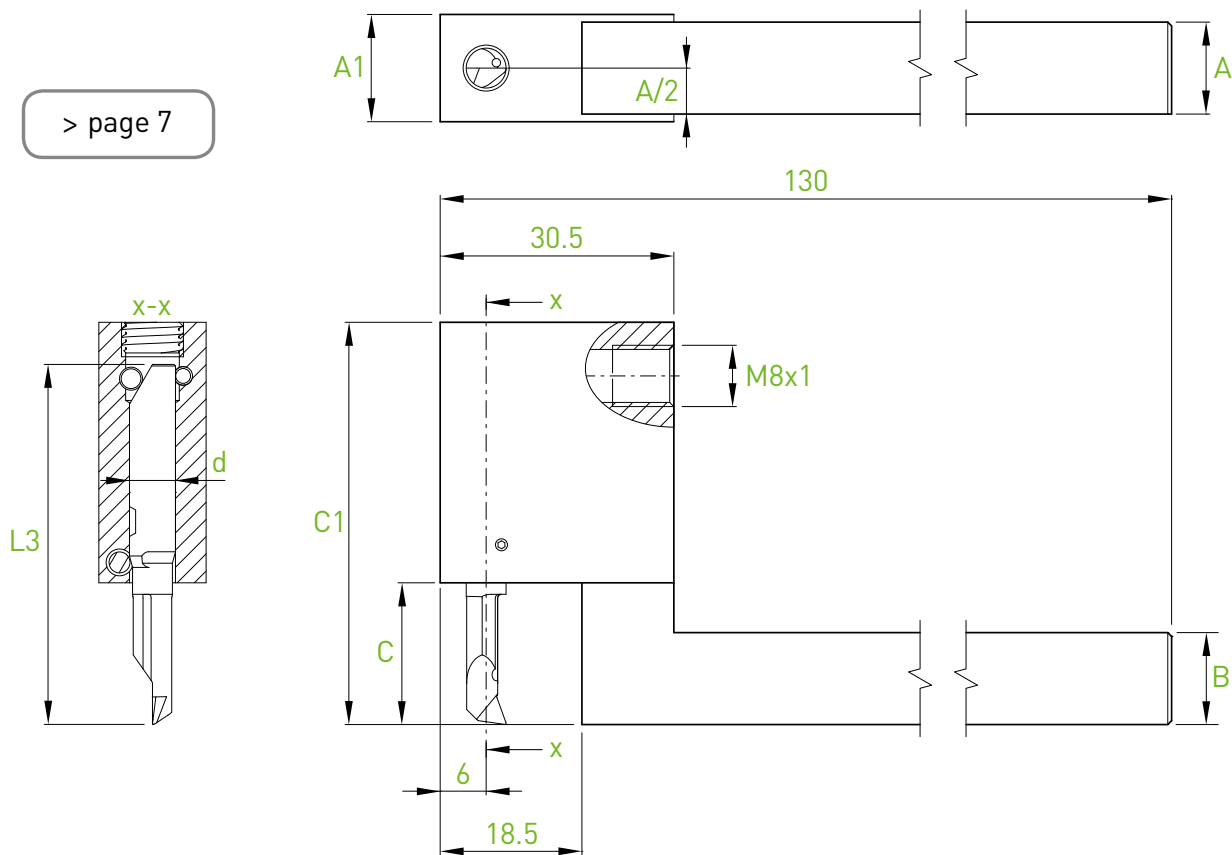
Porte-outils coudés

Kröpfhalter

Cranked tool holders

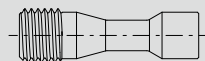
BHK6N...

> page 7



| d | Compatible bars L3 | A | B | C | C1 | A1 | Art. N° |
|---|--------------------|----|----|------|------|----|------------------------|
| 6 | BB6R... BF6R... | 10 | 10 | 18.5 | 52.5 | 12 | BHK6N-1010X-47R |
| | | 12 | 12 | 18.5 | 52.5 | 12 | BHK6N-1212X-47R |
| | | 16 | 16 | 18.5 | 52.5 | 16 | BHK6N-1616X-47R |
| | 57 | 10 | 10 | 28.5 | 62.5 | 12 | BHK6N-1010X-57R |
| | | 12 | 12 | 28.5 | 62.5 | 12 | BHK6N-1212X-57R |
| | | 16 | 16 | 28.5 | 62.5 | 16 | BHK6N-1616X-57R |

Pièces de rechange
Ersatzteile
Spare parts



Art. N°

BHK6N...

V-BHK-M4x0.5-T8



Art. N°

C-T8

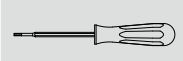
Option



Art. N°

BHK6N...

J-M8x1-D6



Art. N°

SET-NM1.2-TX8

IN-Line

Alésage

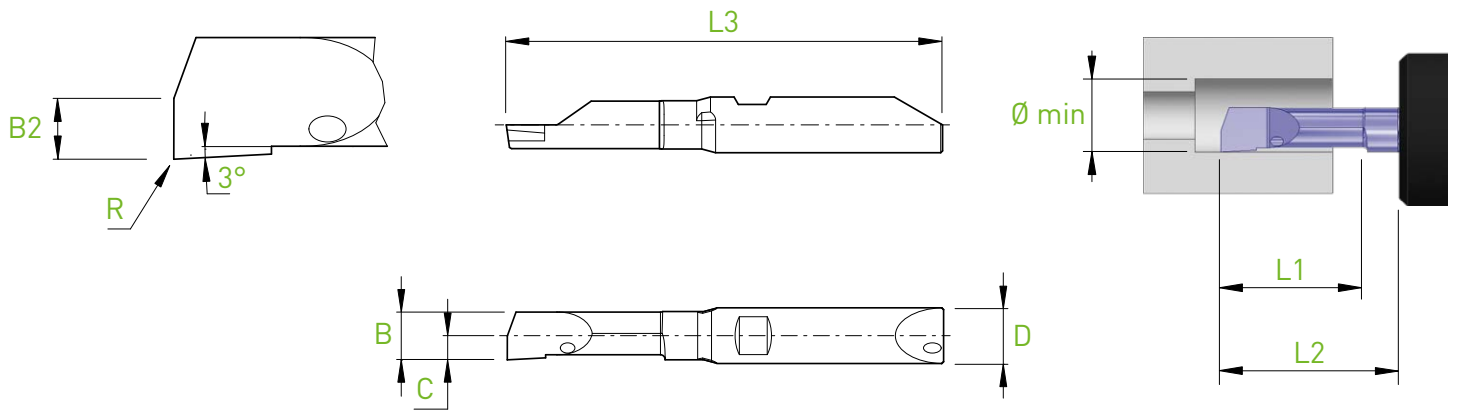
Ausbohren

Boring



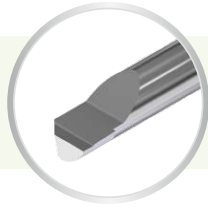
BB4...

BA



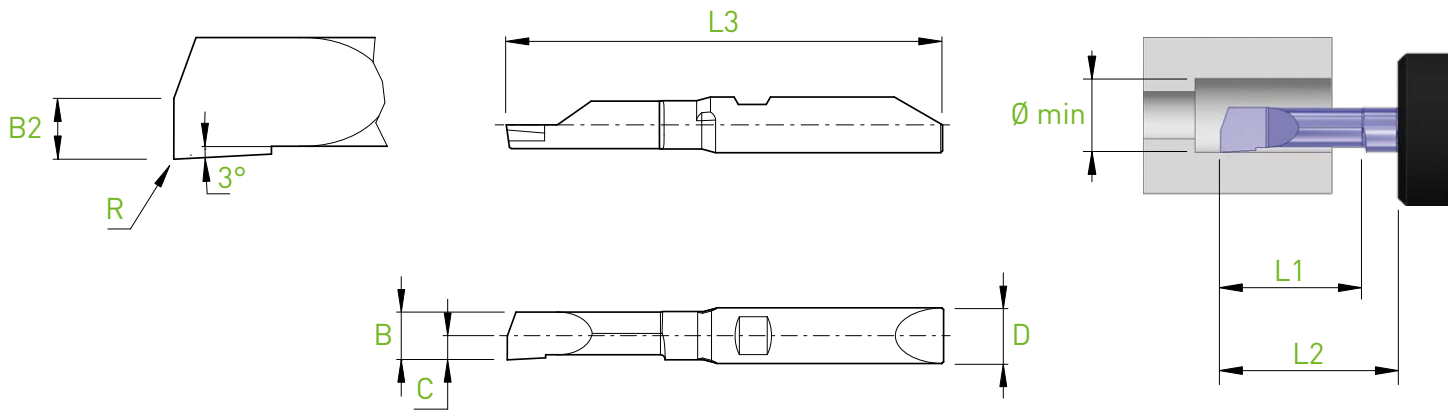
| D _{h5} | Holder | Ø min | L1 | L2 BH4... BHY4... | L2 BHS4... BHK4... | B | B2 | C | R | L3 | Art. N° | R | | | L | |
|-----------------|---|-------|------|-------------------------|--------------------------|------|------|------|---------------------|----|--------------------|------|-----------------------------|----|------|----|
| | | | | | | | | | | | | ZTAF | ZTAXF <small>NEW</small> | ZN | ZTAF | ZN |
| 4 | BH4... BHS4... BHY4... BHK4... | 0.3 | 0.9 | 10 | 8.5 | 0.27 | 0.13 | 0.15 | 0 | 32 | BB4R/L-0309-BA | ■ | ■ | ■ | □ | □ |
| | | 0.4 | 1.2 | 10 | 8.5 | 0.36 | 0.18 | 0.20 | 0 | 32 | BB4R/L-0412-BA | ■ | ■ | ■ | □ | □ |
| | | 0.5 | 1.5 | 10 | 8.5 | 0.45 | 0.22 | 0.25 | 0 | 32 | BB4R/L-0515-BA | ■ | ■ | ■ | □ | □ |
| | | 1.0 | 3.0 | 10 | 8.5 | 0.90 | 0.45 | 0.60 | 0.02 | 32 | BB4R/L-1030-BA-R02 | ■ | ■ | ■ | □ | □ |
| | | 1.5 | 4.5 | 10 | 8.5 | 1.35 | 0.67 | 0.65 | 0.02 | 32 | BB4R/L-1545-BA-R02 | ■ | ■ | ■ | □ | □ |
| | | 2.0 | 6.0 | 10 | 8.5 | 1.80 | 0.90 | 1.15 | 0.02 | 32 | BB4R/L-2060-BA-R02 | ■ | ■ | ■ | □ | □ |
| | | 2.5 | 7.5 | 10 | 8.5 | 2.25 | 1.13 | 1.30 | 0.02 | 32 | BB4R/L-2575-BA-R02 | ■ | ■ | ■ | □ | □ |
| | | 3.0 | 9.0 | 15 | 13.5 | 2.70 | 1.35 | 1.35 | 0.05 | 37 | BB4R/L-3090-BA-R05 | ■ | ■ | ■ | □ | □ |
| 3.5 | 10.5 | 15 | 13.5 | 3.15 | 1.58 | 1.60 | 0.05 | 37 | BB4R/L-35105-BA-R05 | ■ | ■ | ■ | □ | □ | | |

Alésage
Ausbohren
Boring



BF4...

BA



| D _{h5} | Holder | Ø min | L1 | L2 BH4... BHY4... | L2 BHS4... BHK4... | B | B2 | C | R | L3 | Art. N° | R | | | L | |
|-----------------|---|-------|------|-------------------------|--------------------------|------|------|------|---------------------|----|--------------------|------|-----------------------------|----|------|----|
| | | | | | | | | | | | | ZTAF | ZTAXF <small>NEW</small> | ZN | ZTAF | ZN |
| 4 | BH4... BHS4... BHY4... BHK4... | 0.3 | 0.9 | 10 | 8.5 | 0.27 | 0.13 | 0.15 | 0 | 32 | BF4R/L-0309-BA | ■ | ■ | ■ | □ | □ |
| | | 0.4 | 1.2 | 10 | 8.5 | 0.36 | 0.18 | 0.20 | 0 | 32 | BF4R/L-0412-BA | ■ | ■ | ■ | □ | □ |
| | | 0.5 | 1.5 | 10 | 8.5 | 0.45 | 0.22 | 0.25 | 0 | 32 | BF4R/L-0515-BA | ■ | ■ | ■ | □ | □ |
| | | 1.0 | 3.0 | 10 | 8.5 | 0.90 | 0.45 | 0.60 | 0.02 | 32 | BF4R/L-1030-BA-R02 | ■ | ■ | ■ | □ | □ |
| | | 1.5 | 4.5 | 10 | 8.5 | 1.35 | 0.67 | 0.65 | 0.02 | 32 | BF4R/L-1545-BA-R02 | ■ | ■ | ■ | □ | □ |
| | | 2.0 | 6.0 | 10 | 8.5 | 1.80 | 0.90 | 1.15 | 0.02 | 32 | BF4R/L-2060-BA-R02 | ■ | ■ | ■ | □ | □ |
| | | 2.5 | 7.5 | 10 | 8.5 | 2.25 | 1.13 | 1.30 | 0.02 | 32 | BF4R/L-2575-BA-R02 | ■ | ■ | ■ | □ | □ |
| | | 3.0 | 9.0 | 15 | 13.5 | 2.70 | 1.35 | 1.35 | 0.05 | 37 | BF4R/L-3090-BA-R05 | ■ | ■ | ■ | □ | □ |
| 3.5 | 10.5 | 15 | 13.5 | 3.15 | 1.58 | 1.60 | 0.05 | 37 | BF4R/L-35105-BA-R05 | ■ | ■ | ■ | □ | □ | | |

IN-Line

Alésage

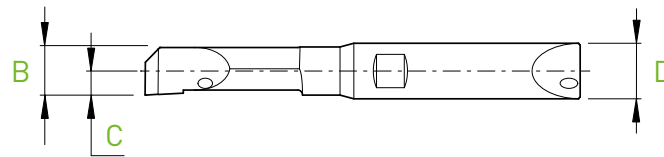
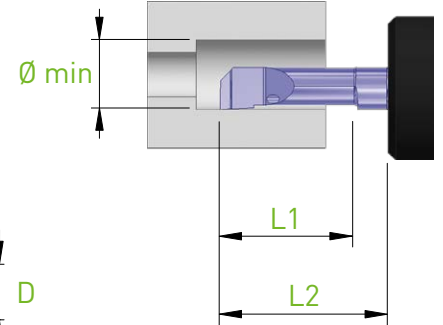
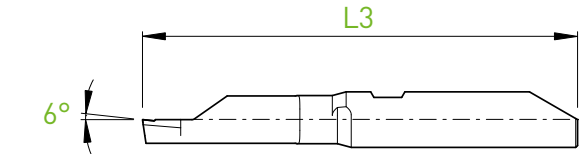
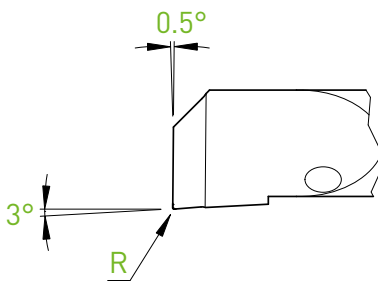
Ausbohren

Boring



BB4... / BB6...

BAX



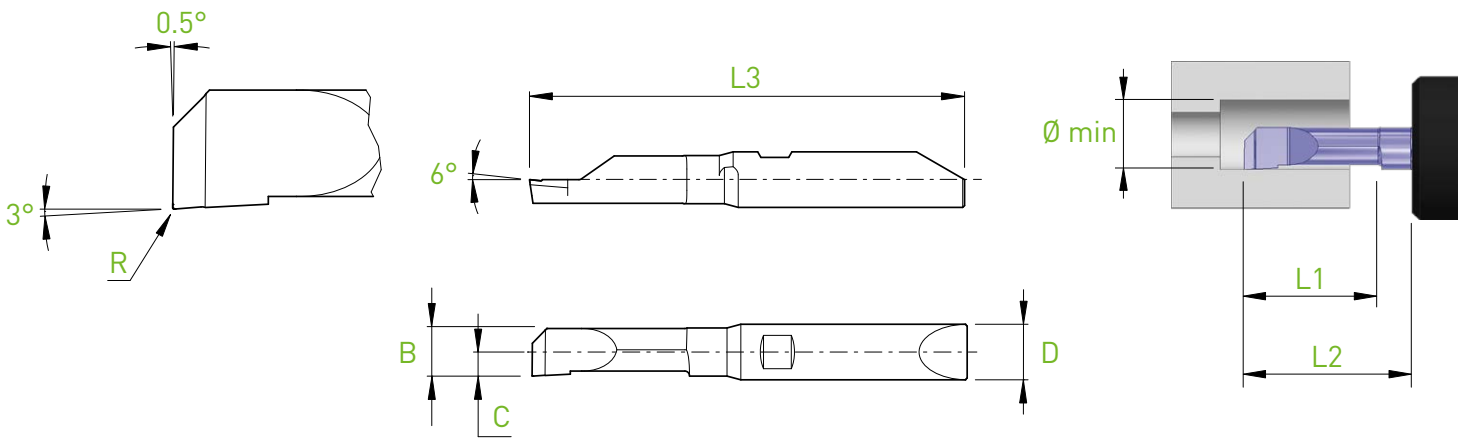
| D h5 | Holder | Ø min | L1 | L2 BH4... BHY4... | L2 BHS4... BHK4... | B | C | R | L3 | Art. N° | R | | | L | |
|------|---|-------|------|-------------------------|--------------------------|------|------|----------------------|----|----------------------|------|-----------------------------|----|------|----|
| | | | | | | | | | | | ZTAF | ZTAXF <small>NEW</small> | ZN | ZTAF | ZN |
| 4 | BH4... BHS4... BHY4... BHK4... | 0.5 | 1.5 | 10 | 8.5 | 0.45 | 0.25 | 0 | 32 | BB4R/L-0515-BAX | ■ | ■ | ■ | □ | □ |
| | | 0.6 | 1.8 | 10 | 8.5 | 0.54 | 0.30 | 0 | 32 | BB4R/L-0618-BAX | ■ | ■ | ■ | □ | □ |
| | | 0.7 | 2.1 | 10 | 8.5 | 0.63 | 0.35 | 0 | 32 | BB4R/L-0721-BAX | ■ | ■ | ■ | □ | □ |
| | | 0.8 | 2.4 | 10 | 8.5 | 0.72 | 0.40 | 0 | 32 | BB4R/L-0824-BAX | ■ | ■ | ■ | □ | □ |
| | | 0.9 | 2.7 | 10 | 8.5 | 0.81 | 0.45 | 0 | 32 | BB4R/L-0927-BAX | ■ | ■ | ■ | □ | □ |
| | | 1.0 | 3.0 | 10 | 8.5 | 0.90 | 0.60 | 0.02 | 32 | BB4R/L-1030-BAX-R02 | ■ | ■ | ■ | □ | □ |
| | | | 5.0 | 10 | 8.5 | 0.90 | 0.60 | 0.02 | 32 | BB4R/L-1050-BAX-R02 | ■ | ■ | ■ | □ | □ |
| | | 1.5 | 4.5 | 10 | 8.5 | 1.35 | 0.65 | 0.02 | 32 | BB4R/L-1545-BAX-R02 | ■ | ■ | ■ | □ | □ |
| | | | 7.5 | 10 | 8.5 | 1.35 | 0.65 | 0.02 | 32 | BB4R/L-1575-BAX-R02 | ■ | ■ | ■ | □ | □ |
| | | 2.0 | 6.0 | 10 | 8.5 | 1.80 | 1.15 | 0.02 | 32 | BB4R/L-2060-BAX-R02 | ■ | ■ | ■ | □ | □ |
| | | | 10.0 | 15 | 13.5 | 1.80 | 1.15 | 0.02 | 37 | BB4R/L-20100-BAX-R02 | ■ | ■ | ■ | □ | □ |
| | | 2.5 | 7.5 | 10 | 8.5 | 2.25 | 1.30 | 0.05 | 32 | BB4R/L-2575-BAX-R05 | ■ | ■ | ■ | □ | □ |
| | | | 12.5 | 15 | 13.5 | 2.25 | 1.30 | 0.05 | 37 | BB4R/L-25125-BAX-R05 | ■ | ■ | ■ | □ | □ |
| | | 3.0 | 9.0 | 15 | 13.5 | 2.70 | 1.35 | 0.05 | 37 | BB4R/L-3090-BAX-R05 | ■ | ■ | ■ | □ | □ |
| 15.0 | 20 | | 18.5 | 2.70 | 1.35 | 0.05 | 42 | BB4R/L-30150-BAX-R05 | ■ | ■ | ■ | □ | □ | | |
| 3.5 | 10.5 | 15 | 13.5 | 3.15 | 1.60 | 0.05 | 37 | BB4R/L-35105-BAX-R05 | ■ | ■ | ■ | □ | □ | | |
| | 17.5 | 20 | 18.5 | 3.15 | 1.60 | 0.05 | 42 | BB4R/L-35175-BAX-R05 | ■ | ■ | ■ | □ | □ | | |
| 6 | BH6... BHS6... BHY6... BHK6... | 4.0 | 12.0 | 20 | 18.5 | 3.80 | 2.20 | 0.05 | 47 | BB6R/L-40120-BAX-R05 | ■ | ■ | ■ | □ | □ |
| | | | 20.0 | 30 | 28.5 | 3.80 | 2.20 | 0.05 | 57 | BB6R/L-40200-BAX-R05 | ■ | ■ | ■ | □ | □ |
| | | 4.5 | 13.5 | 20 | 18.5 | 4.28 | 2.30 | 0.05 | 47 | BB6R/L-45135-BAX-R05 | ■ | ■ | ■ | □ | □ |
| | | | 22.5 | 30 | 28.5 | 4.28 | 2.30 | 0.05 | 57 | BB6R/L-45225-BAX-R05 | ■ | ■ | ■ | □ | □ |
| | | 5.0 | 15.0 | 20 | 18.5 | 4.75 | 2.40 | 0.05 | 47 | BB6R/L-50150-BAX-R05 | ■ | ■ | ■ | □ | □ |
| | | | 25.0 | 30 | 28.5 | 4.75 | 2.40 | 0.05 | 57 | BB6R/L-50250-BAX-R05 | ■ | ■ | ■ | □ | □ |
| | | 5.5 | 16.5 | 20 | 18.5 | 5.15 | 2.60 | 0.05 | 47 | BB6R/L-55165-BAX-R05 | ■ | ■ | ■ | □ | □ |
| | | | 27.5 | 30 | 28.5 | 5.15 | 2.60 | 0.05 | 57 | BB6R/L-55275-BAX-R05 | ■ | ■ | ■ | □ | □ |

Alésage
Ausbohren
Boring



BF4... / BF6...

BAX



| D h5 | Holder | Ø min | L1 | L2 BH4... BHY4... | L2 BHS4... BHK4... | B | C | R | L3 | Art. N° | R | | | L | |
|------|---|-------|------|-------------------------|--------------------------|------|------|----------------------|----|----------------------|------|-----------------------------|----|------|----|
| | | | | | | | | | | | ZTAF | ZTAXF <small>NEW</small> | ZN | ZTAF | ZN |
| 4 | BH4... BHS4... BHY4... BHK4... | 0.5 | 1.5 | 10 | 8.5 | 0.45 | 0.25 | 0 | 32 | BF4R/L-0515-BAX | ■ | ■ | ■ | □ | □ |
| | | 0.6 | 1.8 | 10 | 8.5 | 0.54 | 0.30 | 0 | 32 | BF4R/L-0618-BAX | ■ | ■ | ■ | □ | □ |
| | | 0.7 | 2.1 | 10 | 8.5 | 0.63 | 0.35 | 0 | 32 | BF4R/L-0721-BAX | ■ | ■ | ■ | □ | □ |
| | | 0.8 | 2.4 | 10 | 8.5 | 0.72 | 0.40 | 0 | 32 | BF4R/L-0824-BAX | ■ | ■ | ■ | □ | □ |
| | | 0.9 | 2.7 | 10 | 8.5 | 0.81 | 0.45 | 0 | 32 | BF4R/L-0927-BAX | ■ | ■ | ■ | □ | □ |
| | | 1.0 | 3.0 | 10 | 8.5 | 0.90 | 0.60 | 0.02 | 32 | BF4R/L-1030-BAX-R02 | ■ | ■ | ■ | □ | □ |
| | | | 5.0 | 10 | 8.5 | 0.90 | 0.60 | 0.02 | 32 | BF4R/L-1050-BAX-R02 | ■ | ■ | ■ | □ | □ |
| | | 1.5 | 4.5 | 10 | 8.5 | 1.35 | 0.65 | 0.02 | 32 | BF4R/L-1545-BAX-R02 | ■ | ■ | ■ | □ | □ |
| | | | 7.5 | 10 | 8.5 | 1.35 | 0.65 | 0.02 | 32 | BF4R/L-1575-BAX-R02 | ■ | ■ | ■ | □ | □ |
| | | 2.0 | 6.0 | 10 | 8.5 | 1.80 | 1.15 | 0.02 | 32 | BF4R/L-2060-BAX-R02 | ■ | ■ | ■ | □ | □ |
| | | | 10.0 | 15 | 13.5 | 1.80 | 1.15 | 0.02 | 37 | BF4R/L-20100-BAX-R02 | ■ | ■ | ■ | □ | □ |
| | | 2.5 | 7.5 | 10 | 8.5 | 2.25 | 1.30 | 0.05 | 32 | BF4R/L-2575-BAX-R05 | ■ | ■ | ■ | □ | □ |
| | | | 12.5 | 15 | 13.5 | 2.25 | 1.30 | 0.05 | 37 | BF4R/L-25125-BAX-R05 | ■ | ■ | ■ | □ | □ |
| | | 3.0 | 9.0 | 15 | 13.5 | 2.70 | 1.35 | 0.05 | 37 | BF4R/L-3090-BAX-R05 | ■ | ■ | ■ | □ | □ |
| 15.0 | 20 | | 18.5 | 2.70 | 1.35 | 0.05 | 42 | BF4R/L-30150-BAX-R05 | ■ | ■ | ■ | □ | □ | | |
| 3.5 | 10.5 | 15 | 13.5 | 3.15 | 1.60 | 0.05 | 37 | BF4R/L-35105-BAX-R05 | ■ | ■ | ■ | □ | □ | | |
| | 17.5 | 20 | 18.5 | 3.15 | 1.60 | 0.05 | 42 | BB4R/L-35175-BAX-R05 | ■ | ■ | ■ | □ | □ | | |
| D h5 | Holder | Ø min | L1 | L2 BH6... BHY6... | L2 BHS6... BHK6... | B | C | R | L3 | Art. N° | ZTAF | ZTAXF <small>NEW</small> | ZN | ZTAF | ZN |
| 6 | BH6... BHS6... BHY6... BHK6... | 4.0 | 12.0 | 20 | 18.5 | 3.80 | 2.20 | 0.05 | 47 | BF6R/L-40120-BAX-R05 | ■ | ■ | ■ | □ | □ |
| | | | 20.0 | 30 | 28.5 | 3.80 | 2.20 | 0.05 | 57 | BF6R/L-40200-BAX-R05 | ■ | ■ | ■ | □ | □ |
| | | 4.5 | 13.5 | 20 | 18.5 | 4.28 | 2.30 | 0.05 | 47 | BF6R/L-45135-BAX-R05 | ■ | ■ | ■ | □ | □ |
| | | | 22.5 | 30 | 28.5 | 4.28 | 2.30 | 0.05 | 57 | BF6R/L-45225-BAX-R05 | ■ | ■ | ■ | □ | □ |
| | | 5.0 | 15.0 | 20 | 18.5 | 4.75 | 2.40 | 0.05 | 47 | BF6R/L-50150-BAX-R05 | ■ | ■ | ■ | □ | □ |
| | | | 25.0 | 30 | 28.5 | 4.75 | 2.40 | 0.05 | 57 | BF6R/L-50250-BAX-R05 | ■ | ■ | ■ | □ | □ |
| | | 5.5 | 16.5 | 20 | 18.5 | 5.15 | 2.60 | 0.05 | 47 | BF6R/L-55165-BAX-R05 | ■ | ■ | ■ | □ | □ |
| | | | 27.5 | 30 | 28.5 | 5.15 | 2.60 | 0.05 | 57 | BF6R/L-55275-BAX-R05 | ■ | ■ | ■ | □ | □ |

IN-Line

Alésage-copiage

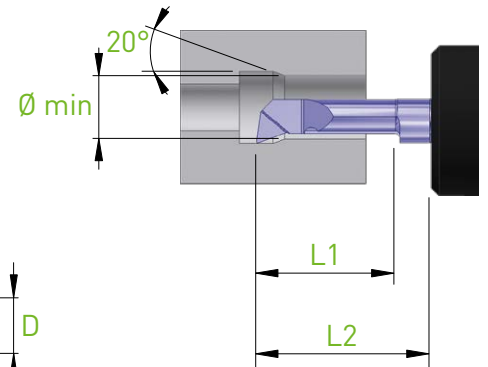
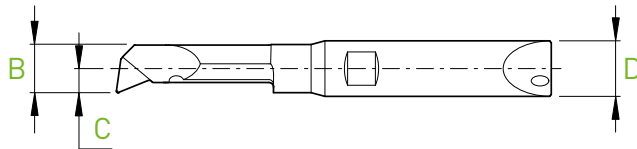
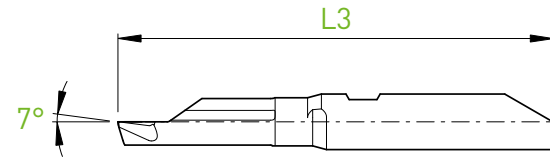
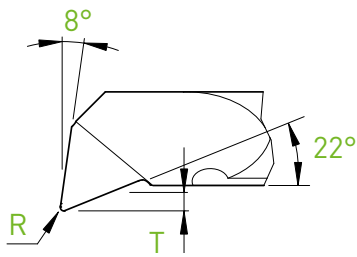
Ausbohren-kopieren

Boring chambering



BB4... / BB6...

BCX



| D h5 | Holder | Ø min | L1 | L2 | | T | B | C | R | L3 | Art. N° | R | | | L | | | |
|------|---|-------|---|-------------------|--------------------|------|------|------|------|------|-----------------------------|------|-----------------------------|----|------|----|---|---|
| | | | | BH4... BHY4... | BHS4... BHK4... | | | | | | | ZTAF | ZTAXF | ZN | ZTAF | ZN | | |
| 4 | BH4... BHS4... BHY4... BHK4... | 1.0 | 3.0 | 10 | 8.5 | 0.15 | 0.90 | 0.70 | 0.05 | 32 | BB4R/L-1030-BCX-R05 | ■ | ■ | ■ | □ | □ | | |
| | | | 5.0 | 10 | 8.5 | 0.15 | 0.90 | 0.70 | 0.05 | 32 | BB4R/L-1050-BCX-R05 | ■ | ■ | ■ | □ | □ | | |
| | | 1.5 | 4.5 | 10 | 8.5 | 0.23 | 1.35 | 0.75 | 0.05 | 32 | BB4R/L-1545-BCX-R05 | ■ | ■ | ■ | □ | □ | | |
| | | | 7.5 | 10 | 8.5 | 0.23 | 1.35 | 0.75 | 0.05 | 32 | BB4R/L-1575-BCX-R05 | ■ | ■ | ■ | □ | □ | | |
| | | 2.0 | 6.0 | 10 | 8.5 | 0.30 | 1.80 | 1.15 | 0.05 | 32 | BB4R/L-2060-BCX-R05 | ■ | ■ | ■ | □ | □ | | |
| | | | 10.0 | 15 | 13.5 | 0.30 | 1.80 | 1.15 | 0.05 | 37 | BB4R/L-20100-BCX-R05 | ■ | ■ | ■ | □ | □ | | |
| | | 2.5 | 7.5 | 10 | 8.5 | 0.38 | 2.25 | 1.30 | 0.10 | 32 | BB4R/L-2575-BCX-R10 | ■ | ■ | ■ | □ | □ | | |
| | | | 12.5 | 15 | 13.5 | 0.38 | 2.25 | 1.30 | 0.10 | 37 | BB4R/L-25125-BCX-R10 | ■ | ■ | ■ | □ | □ | | |
| | | 3.0 | 9.0 | 15 | 13.5 | 0.45 | 2.70 | 1.35 | 0.10 | 37 | BB4R/L-3090-BCX-R10 | ■ | ■ | ■ | □ | □ | | |
| | | | 15.0 | 20 | 18.5 | 0.45 | 2.70 | 1.35 | 0.10 | 42 | BB4R/L-30150-BCX-R10 | ■ | ■ | ■ | □ | □ | | |
| | | 3.5 | 10.5 | 15 | 13.5 | 0.53 | 3.15 | 1.60 | 0.10 | 37 | BB4R/L-35105-BCX-R10 | ■ | ■ | ■ | □ | □ | | |
| | | | 17.5 | 20 | 18.5 | 0.53 | 3.15 | 1.60 | 0.10 | 42 | BB4R/L-35175-BCX-R10 | ■ | ■ | ■ | □ | □ | | |
| | | 6 | BH6... BHS6... BHY6... BHK6... | 4.0 | 12.0 | 20 | 18.5 | 0.60 | 3.80 | 2.20 | 0.15 | 47 | BB6R/L-40120-BCX-R15 | ■ | ■ | ■ | □ | □ |
| | | | | | 20.0 | 30 | 28.5 | 0.60 | 3.80 | 2.20 | 0.15 | 57 | BB6R/L-40200-BCX-R15 | ■ | ■ | ■ | □ | □ |
| 4.5 | 13.5 | | | 20 | 18.5 | 0.68 | 4.28 | 2.30 | 0.15 | 47 | BB6R/L-45135-BCX-R15 | ■ | ■ | ■ | □ | □ | | |
| | 22.5 | | | 30 | 28.5 | 0.68 | 4.28 | 2.30 | 0.15 | 57 | BB6R/L-45225-BCX-R15 | ■ | ■ | ■ | □ | □ | | |
| 5.0 | 15.0 | | | 20 | 18.5 | 0.75 | 4.75 | 2.40 | 0.15 | 47 | BB6R/L-50150-BCX-R15 | ■ | ■ | ■ | □ | □ | | |
| | 25.0 | | | 30 | 28.5 | 0.75 | 4.75 | 2.40 | 0.15 | 57 | BB6R/L-50250-BCX-R15 | ■ | ■ | ■ | □ | □ | | |
| 5.5 | 16.5 | | | 20 | 18.5 | 0.83 | 5.15 | 2.60 | 0.15 | 47 | BB6R/L-55165-BCX-R15 | ■ | ■ | ■ | □ | □ | | |
| | 27.5 | | | 30 | 28.5 | 0.83 | 5.15 | 2.60 | 0.15 | 57 | BB6R/L-55275-BCX-R15 | ■ | ■ | ■ | □ | □ | | |

Alésage-copiage

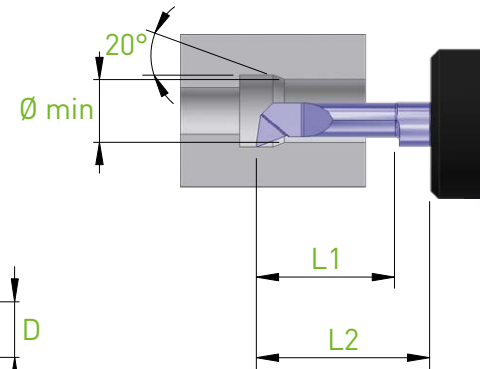
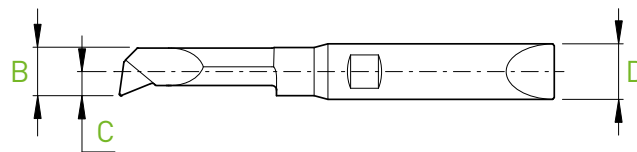
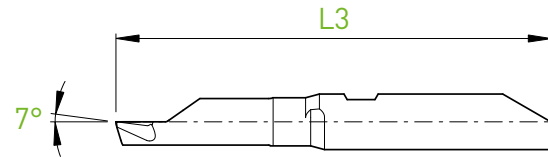
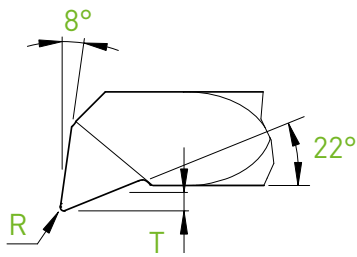
Ausbohren-kopieren

Boring chambering



BF4... / BF6...

BCX



| D h5 | Holder | Ø min | L1 | L2 | | T | B | C | R | L3 | Art. N° | R | | | L | |
|------|---|-------|------|-------------------|--------------------|------|------|------|------|----|-----------------------------|------|-------|----|------|----|
| | | | | BH4... BHY4... | BHS4... BHK4... | | | | | | | ZTAF | ZTAXF | ZN | ZTAF | ZN |
| 4 | BH4... BHS4... BHY4... BHK4... | 1.0 | 3.0 | 10 | 8.5 | 0.15 | 0.90 | 0.70 | 0.05 | 32 | BF4R/L-1030-BCX-R05 | ■ | ■ | ■ | □ | □ |
| | | | 5.0 | 10 | 8.5 | 0.15 | 0.90 | 0.70 | 0.05 | 32 | BF4R/L-1050-BCX-R05 | ■ | ■ | ■ | □ | □ |
| | | 1.5 | 4.5 | 10 | 8.5 | 0.23 | 1.35 | 0.75 | 0.05 | 32 | BF4R/L-1545-BCX-R05 | ■ | ■ | ■ | □ | □ |
| | | | 7.5 | 10 | 8.5 | 0.23 | 1.35 | 0.75 | 0.05 | 32 | BF4R/L-1575-BCX-R05 | ■ | ■ | ■ | □ | □ |
| | | 2.0 | 6.0 | 10 | 8.5 | 0.30 | 1.80 | 1.15 | 0.05 | 32 | BF4R/L-2060-BCX-R05 | ■ | ■ | ■ | □ | □ |
| | | | 10.0 | 15 | 13.5 | 0.30 | 1.80 | 1.15 | 0.05 | 37 | BF4R/L-20100-BCX-R05 | ■ | ■ | ■ | □ | □ |
| | | 2.5 | 7.5 | 10 | 8.5 | 0.38 | 2.25 | 1.30 | 0.10 | 32 | BF4R/L-2575-BCX-R10 | ■ | ■ | ■ | □ | □ |
| | | | 12.5 | 15 | 13.5 | 0.38 | 2.25 | 1.30 | 0.10 | 37 | BF4R/L-25125-BCX-R10 | ■ | ■ | ■ | □ | □ |
| | | 3.0 | 9.0 | 15 | 13.5 | 0.45 | 2.70 | 1.35 | 0.10 | 37 | BF4R/L-3090-BCX-R10 | ■ | ■ | ■ | □ | □ |
| | | | 15.0 | 20 | 18.5 | 0.45 | 2.70 | 1.35 | 0.10 | 42 | BF4R/L-30150-BCX-R10 | ■ | ■ | ■ | □ | □ |
| | | 3.5 | 10.5 | 15 | 13.5 | 0.53 | 3.15 | 1.60 | 0.10 | 37 | BF4R/L-35105-BCX-R10 | ■ | ■ | ■ | □ | □ |
| | | | 17.5 | 20 | 18.5 | 0.53 | 3.15 | 1.60 | 0.10 | 42 | BF4R/L-35175-BCX-R10 | ■ | ■ | ■ | □ | □ |

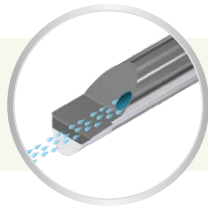
| D h5 | Holder | Ø min | L1 | L2 | | T | B | C | R | L3 | Art. N° | R | | | L | |
|------|---|-------|------|-------------------|--------------------|------|------|------|------|----|-----------------------------|------|-------|----|------|----|
| | | | | BH6... BHY6... | BHS6... BHK6... | | | | | | | ZTAF | ZTAXF | ZN | ZTAF | ZN |
| 6 | BH6... BHS6... BHY6... BHK6... | 4.0 | 12.0 | 20 | 18.5 | 0.60 | 3.80 | 2.20 | 0.15 | 47 | BF6R/L-40120-BCX-R15 | ■ | ■ | ■ | □ | □ |
| | | | 20.0 | 30 | 28.5 | 0.60 | 3.80 | 2.20 | 0.15 | 57 | BF6R/L-40200-BCX-R15 | ■ | ■ | ■ | □ | □ |
| | | 4.5 | 13.5 | 20 | 18.5 | 0.68 | 4.28 | 2.30 | 0.15 | 47 | BF6R/L-45135-BCX-R15 | ■ | ■ | ■ | □ | □ |
| | | | 22.5 | 30 | 28.5 | 0.68 | 4.28 | 2.30 | 0.15 | 57 | BF6R/L-45225-BCX-R15 | ■ | ■ | ■ | □ | □ |
| | | 5.0 | 15.0 | 20 | 18.5 | 0.75 | 4.75 | 2.40 | 0.15 | 47 | BF6R/L-50150-BCX-R15 | ■ | ■ | ■ | □ | □ |
| | | | 25.0 | 30 | 28.5 | 0.75 | 4.75 | 2.40 | 0.15 | 57 | BF6R/L-50250-BCX-R15 | ■ | ■ | ■ | □ | □ |
| | | 5.5 | 16.5 | 20 | 18.5 | 0.83 | 5.15 | 2.60 | 0.15 | 47 | BF6R/L-55165-BCX-R15 | ■ | ■ | ■ | □ | □ |
| | | | 27.5 | 30 | 28.5 | 0.83 | 5.15 | 2.60 | 0.15 | 57 | BF6R/L-55275-BCX-R15 | ■ | ■ | ■ | □ | □ |

IN-Line

Copiage

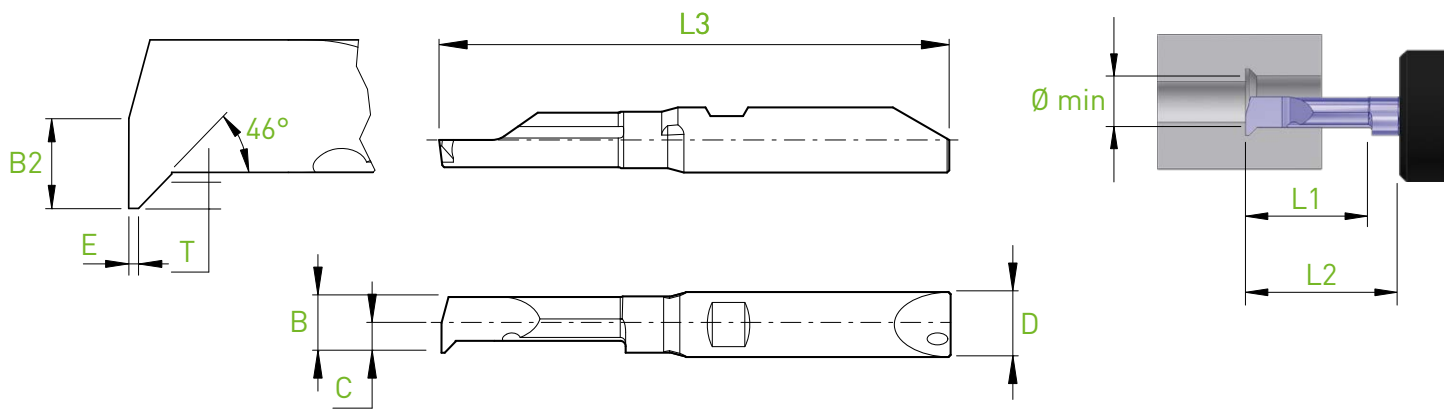
Kopieren

Chamfering



BB4... / BB6...

C45



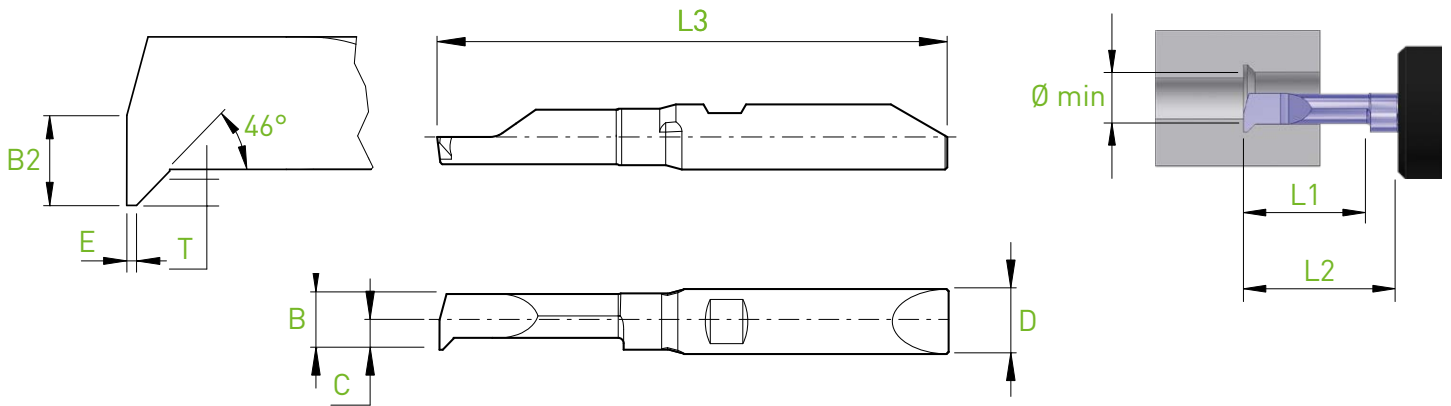
| D _{h5} | Holder | Ø min | L1 | L2 BH4... BHY4... | L2 BHS4... BHK4... | T | B | B2 | C | E | L3 | Art. N° | R | | L | | |
|-----------------|---|-------|------|-------------------------|--------------------------|------|------|------|------|---------------------|----|----------------------|------|-------|----|------|----|
| | | | | | | | | | | | | | ZTAF | ZTAXF | ZN | ZTAF | ZN |
| 4 | BH4... BHS4... BHY4... BHK4... | 0.3 | 0.6 | 10 | 8.5 | 0.05 | 0.27 | 0.13 | 0.15 | 0.03 | 32 | BB4R/L-0306-C45-E03 | ■ | ■ | ■ | □ | □ |
| | | 0.4 | 0.8 | 10 | 8.5 | 0.07 | 0.36 | 0.18 | 0.20 | 0.03 | 32 | BB4R/L-0408-C45-E03 | ■ | ■ | ■ | □ | □ |
| | | 0.5 | 1.0 | 10 | 8.5 | 0.08 | 0.45 | 0.22 | 0.25 | 0.03 | 32 | BB4R/L-0510-C45-E03 | ■ | ■ | ■ | □ | □ |
| | | 0.8 | 1.6 | 10 | 8.5 | 0.14 | 0.72 | 0.36 | 0.40 | 0.05 | 32 | BB4R/L-0816-C45-E05 | ■ | ■ | ■ | □ | □ |
| | | 1.0 | 3.0 | 10 | 8.5 | 0.17 | 0.90 | 0.45 | 0.70 | 0.10 | 32 | BB4R/L-1030-C45-E10 | ■ | ■ | ■ | □ | □ |
| | | 1.5 | 4.5 | 10 | 8.5 | 0.25 | 1.35 | 0.67 | 0.75 | 0.10 | 32 | BB4R/L-1545-C45-E10 | ■ | ■ | ■ | □ | □ |
| | | 2.0 | 6.0 | 10 | 8.5 | 0.34 | 1.80 | 0.90 | 1.15 | 0.20 | 32 | BB4R/L-2060-C45-E20 | ■ | ■ | ■ | □ | □ |
| 3.0 | 9.0 | 15 | 13.5 | 0.51 | 2.70 | 1.35 | 1.35 | 0.30 | 37 | BB4R/L-3090-C45-E30 | ■ | ■ | ■ | □ | □ | | |
| 6 | BH6... BHS6... BHY6... BHK6... | 4.0 | 12.0 | 20 | 18.5 | 0.68 | 3.80 | 1.90 | 2.30 | 0.40 | 47 | BB6R/L-40120-C45-E40 | ■ | ■ | ■ | □ | □ |
| | | 5.0 | 15.0 | 20 | 18.5 | 0.85 | 4.75 | 2.37 | 2.50 | 0.50 | 47 | BB6R/L-50150-C45-E50 | ■ | ■ | ■ | □ | □ |
| | | | | | | | | | | | | | | | | | |

Copiage
Kopieren
Chamfering



BF4... / BF6...

C45



| D _{h5} | Holder | Ø min | L1 | L2 BH4... BHY4... | L2 BHS4... BHK4... | T | B | B2 | C | E | L3 | Art. N° | R | | | L | |
|-----------------|---|-------|------|-------------------------|--------------------------|------|------|------|------|----------------------------|----|-----------------------------|------|-------|----|------|----|
| | | | | | | | | | | | | | ZTAF | ZTAXF | ZN | ZTAF | ZN |
| 4 | BH4... BHS4... BHY4... BHK4... | 0.3 | 0.6 | 10 | 8.5 | 0.05 | 0.27 | 0.13 | 0.15 | 0.03 | 32 | BF4R/L-0306-C45-E03 | ■ | ■ | ■ | □ | □ |
| | | 0.4 | 0.8 | 10 | 8.5 | 0.07 | 0.36 | 0.18 | 0.20 | 0.03 | 32 | BF4R/L-0408-C45-E03 | ■ | ■ | ■ | □ | □ |
| | | 0.5 | 1.0 | 10 | 8.5 | 0.08 | 0.45 | 0.22 | 0.25 | 0.03 | 32 | BF4R/L-0510-C45-E03 | ■ | ■ | ■ | □ | □ |
| | | 0.8 | 1.6 | 10 | 8.5 | 0.14 | 0.72 | 0.36 | 0.40 | 0.05 | 32 | BF4R/L-0816-C45-E05 | ■ | ■ | ■ | □ | □ |
| | | 1.0 | 3.0 | 10 | 8.5 | 0.17 | 0.90 | 0.45 | 0.70 | 0.10 | 32 | BF4R/L-1030-C45-E10 | ■ | ■ | ■ | □ | □ |
| | | 1.5 | 4.5 | 10 | 8.5 | 0.25 | 1.35 | 0.67 | 0.75 | 0.10 | 32 | BF4R/L-1545-C45-E10 | ■ | ■ | ■ | □ | □ |
| | | 2.0 | 6.0 | 10 | 8.5 | 0.34 | 1.80 | 0.90 | 1.15 | 0.20 | 32 | BF4R/L-2060-C45-E20 | ■ | ■ | ■ | □ | □ |
| 3.0 | 9.0 | 15 | 13.5 | 0.51 | 2.70 | 1.35 | 1.35 | 0.30 | 37 | BF4R/L-3090-C45-E30 | ■ | ■ | ■ | □ | □ | | |
| 6 | BH6... BHS6... BHY6... BHK6... | 4.0 | 12.0 | 20 | 18.5 | 0.68 | 3.80 | 1.90 | 2.30 | 0.40 | 47 | BF6R/L-40120-C45-E40 | ■ | ■ | ■ | □ | □ |
| | | 5.0 | 15.0 | 20 | 18.5 | 0.85 | 4.75 | 2.37 | 2.50 | 0.50 | 47 | BF6R/L-50150-C45-E50 | ■ | ■ | ■ | □ | □ |

IN-Line

Copiage

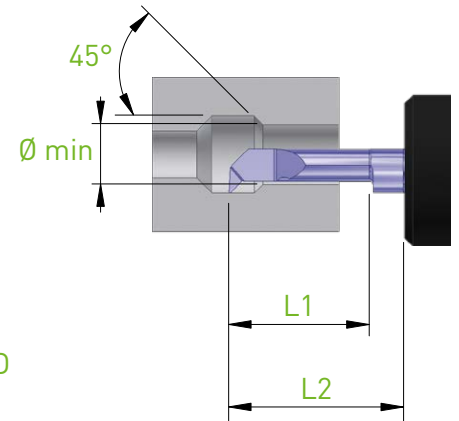
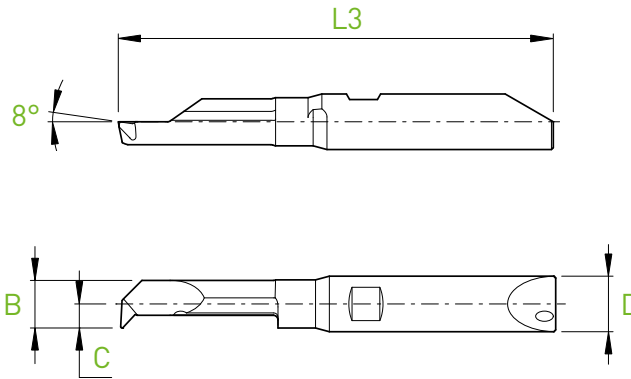
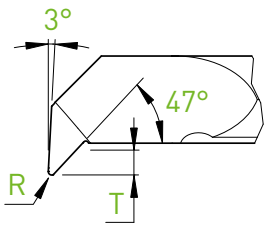
Kopieren

Chamfering



BB4... / BB6...

C45X



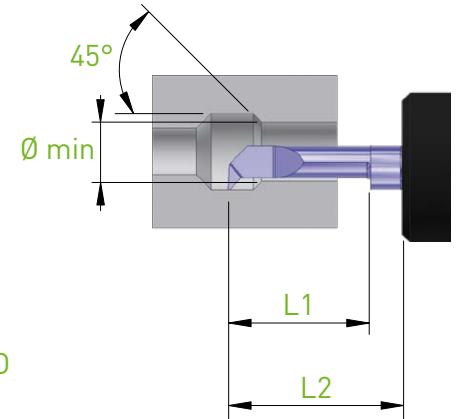
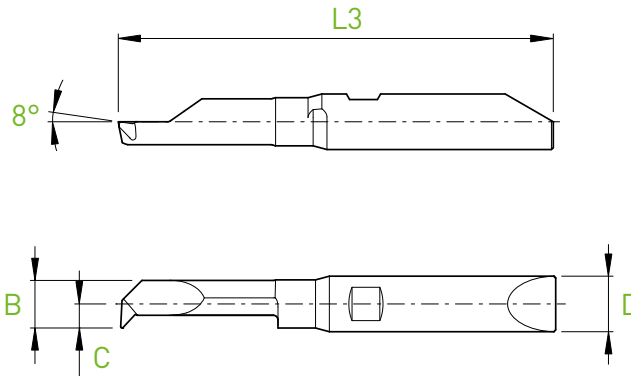
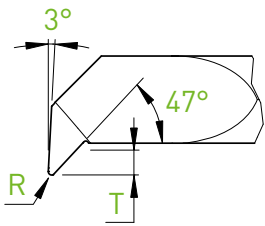
| D h5 | Holder | Ø min | L1 | L2 BH4... BHY4... | L2 BHS4... BHK4... | T | B | C | R | L3 | Art. N° | R | | | L | |
|------|---|-------|------|-------------------------|--------------------------|------|------|------|------|----|------------------------------|------|-------|----|------|----|
| | | | | | | | | | | | | ZTAF | ZTAXF | ZN | ZTAF | ZN |
| 4 | BH4... BHS4... BHY4... BHK4... | 2.5 | 7.5 | 10 | 8.5 | 0.50 | 2.25 | 1.35 | 0.10 | 32 | BB4R/L-2575-C45X-R10 | ■ | ■ | ■ | □ | □ |
| | | | 12.5 | 15 | 13.5 | 0.50 | 2.25 | 1.35 | 0.10 | 37 | BB4R/L-25125-C45X-R10 | ■ | ■ | ■ | □ | □ |
| | | 3.0 | 9.0 | 15 | 13.5 | 0.60 | 2.70 | 1.45 | 0.10 | 37 | BB4R/L-3090-C45X-R10 | ■ | ■ | ■ | □ | □ |
| | | | 15.0 | 20 | 18.5 | 0.60 | 2.70 | 1.45 | 0.10 | 42 | BB4R/L-30150-C45X-R10 | ■ | ■ | ■ | □ | □ |
| | | 3.5 | 10.5 | 15 | 13.5 | 0.70 | 3.15 | 1.60 | 0.10 | 37 | BB4R/L-35105-C45X-R10 | ■ | ■ | ■ | □ | □ |
| | | | 17.5 | 20 | 18.5 | 0.70 | 3.15 | 1.60 | 0.10 | 42 | BB4R/L-35175-C45X-R10 | ■ | ■ | ■ | □ | □ |
| 6 | BH6... BHS6... BHY6... BHK6... | 4.0 | 12.0 | 20 | 18.5 | 0.80 | 3.80 | 2.30 | 0.15 | 47 | BB6R/L-40120-C45X-R15 | ■ | ■ | ■ | □ | □ |
| | | | 20.0 | 30 | 28.5 | 0.80 | 3.80 | 2.30 | 0.15 | 57 | BB6R/L-40200-C45X-R15 | ■ | ■ | ■ | □ | □ |
| | | 4.5 | 13.5 | 20 | 18.5 | 0.90 | 4.28 | 2.40 | 0.15 | 47 | BB6R/L-45135-C45X-R15 | ■ | ■ | ■ | □ | □ |
| | | | 22.5 | 30 | 28.5 | 0.90 | 4.28 | 2.40 | 0.15 | 57 | BB6R/L-45225-C45X-R15 | ■ | ■ | ■ | □ | □ |
| | | 5.0 | 15.0 | 20 | 18.5 | 1.00 | 4.75 | 2.50 | 0.15 | 47 | BB6R/L-50150-C45X-R15 | ■ | ■ | ■ | □ | □ |
| | | | 25.0 | 30 | 28.5 | 1.00 | 4.75 | 2.50 | 0.15 | 57 | BB6R/L-50250-C45X-R15 | ■ | ■ | ■ | □ | □ |
| | | 5.5 | 16.5 | 20 | 18.5 | 1.10 | 5.15 | 2.60 | 0.15 | 47 | BB6R/L-55165-C45X-R15 | ■ | ■ | ■ | □ | □ |
| | | | 27.5 | 30 | 28.5 | 1.10 | 5.15 | 2.60 | 0.15 | 57 | BB6R/L-55275-C45X-R15 | ■ | ■ | ■ | □ | □ |

Copiage
Kopieren
Chamfering



BF4... / BF6...

C45X



| D h5 | Holder | Ø min | L1 | L2 BH4... BHY4... | L2 BHS4... BHK4... | T | B | C | R | L3 | Art. N° | R | | | L | |
|------|---|-------|------|-------------------------|--------------------------|------|------|------|------|----|------------------------------|------|-------|----|------|----|
| | | | | | | | | | | | | ZTAF | ZTAXF | ZN | ZTAF | ZN |
| 4 | BH4... BHS4... BHY4... BHK4... | 2.5 | 7.5 | 10 | 8.5 | 0.50 | 2.25 | 1.35 | 0.10 | 32 | BF4R/L-2575-C45X-R10 | ■ | ■ | ■ | □ | □ |
| | | | 12.5 | 15 | 13.5 | 0.50 | 2.25 | 1.35 | 0.10 | 37 | BF4R/L-25125-C45X-R10 | ■ | ■ | ■ | □ | □ |
| | | 3.0 | 9.0 | 15 | 13.5 | 0.60 | 2.70 | 1.45 | 0.10 | 37 | BF4R/L-3090-C45X-R10 | ■ | ■ | ■ | □ | □ |
| | | | 15.0 | 20 | 18.5 | 0.60 | 2.70 | 1.45 | 0.10 | 42 | BF4R/L-30150-C45X-R10 | ■ | ■ | ■ | □ | □ |
| | | 3.5 | 10.5 | 15 | 13.5 | 0.70 | 3.15 | 1.60 | 0.10 | 37 | BF4R/L-35105-C45X-R10 | ■ | ■ | ■ | □ | □ |
| | | | 17.5 | 20 | 18.5 | 0.70 | 3.15 | 1.60 | 0.10 | 42 | BF4R/L-35175-C45X-R10 | ■ | ■ | ■ | □ | □ |
| 6 | BH6... BHS6... BHY6... BHK6... | 4.0 | 12.0 | 20 | 18.5 | 0.80 | 3.80 | 2.30 | 0.15 | 47 | BF6R/L-40120-C45X-R15 | ■ | ■ | ■ | □ | □ |
| | | | 20.0 | 30 | 28.5 | 0.80 | 3.80 | 2.30 | 0.15 | 57 | BF6R/L-40200-C45X-R15 | ■ | ■ | ■ | □ | □ |
| | | 4.5 | 13.5 | 20 | 18.5 | 0.90 | 4.28 | 2.40 | 0.15 | 47 | BF6R/L-45135-C45X-R15 | ■ | ■ | ■ | □ | □ |
| | | | 22.5 | 30 | 28.5 | 0.90 | 4.28 | 2.40 | 0.15 | 57 | BF6R/L-45225-C45X-R15 | ■ | ■ | ■ | □ | □ |
| | | 5.0 | 15.0 | 20 | 18.5 | 1.00 | 4.75 | 2.50 | 0.15 | 47 | BF6R/L-50150-C45X-R15 | ■ | ■ | ■ | □ | □ |
| | | | 25.0 | 30 | 28.5 | 1.00 | 4.75 | 2.50 | 0.15 | 57 | BF6R/L-50250-C45X-R15 | ■ | ■ | ■ | □ | □ |
| | | 5.5 | 16.5 | 20 | 18.5 | 1.10 | 5.15 | 2.60 | 0.15 | 47 | BF6R/L-55165-C45X-R15 | ■ | ■ | ■ | □ | □ |
| | | | 27.5 | 30 | 28.5 | 1.10 | 5.15 | 2.60 | 0.15 | 57 | BF6R/L-55275-C45X-R15 | ■ | ■ | ■ | □ | □ |

IN-Line

Gorge

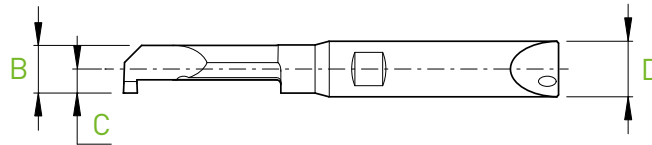
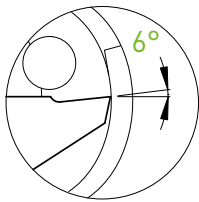
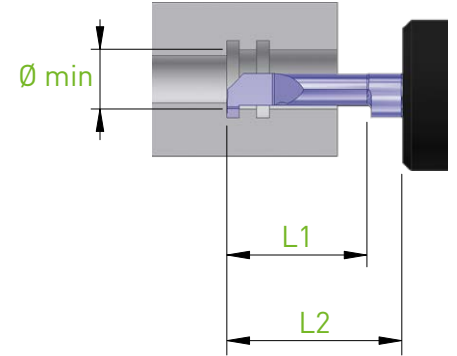
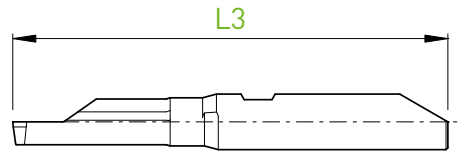
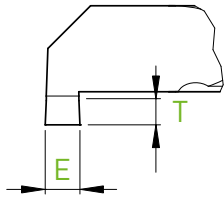
Einstecken

Grooving



BB4... / BB6...

GX



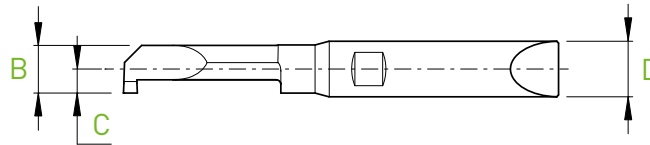
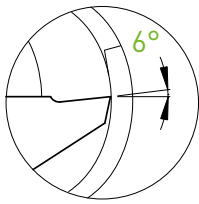
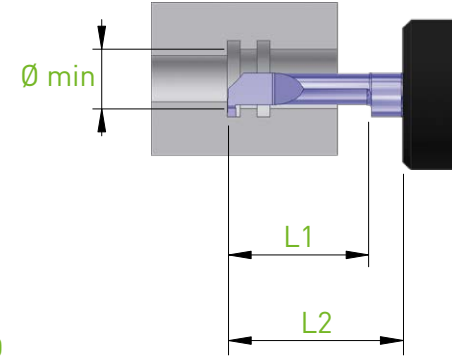
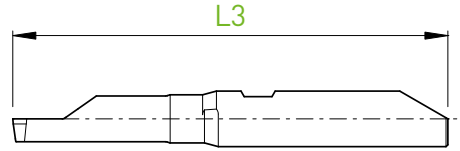
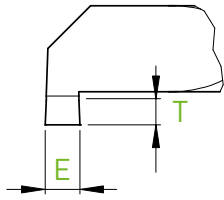
| D h5 | Holder | Ø min | L1 | L2 | | E | T | B | C | L3 | Art. N° | R | | | L | |
|------|---|-------|------|-------------------|--------------------|------|------|------|------|----|-----------------------------------|------|-------|----|------|----|
| | | | | BH4... BHY4... | BHS4... BHK4... | | | | | | | ZTAF | ZTAXF | ZN | ZTAF | ZN |
| 4 | BH4... BHS4... BHY4... BHK4... | 3.0 | 9.0 | 15 | 13.5 | 0.50 | 0.60 | 2.70 | 1.45 | 37 | BB4R/L-3090-G050X | ■ | ■ | ■ | □ | □ |
| | | | 15.0 | 20 | 18.5 | 0.50 | 0.60 | 2.70 | 1.45 | 42 | BB4R/L-30150-G050X | ■ | ■ | ■ | □ | □ |
| | | 3.5 | 10.5 | 15 | 13.5 | 0.75 | 0.70 | 3.15 | 1.60 | 37 | BB4R/L-35105-G075X | ■ | ■ | ■ | □ | □ |
| | | | 17.5 | 20 | 18.5 | 0.75 | 0.70 | 3.15 | 1.60 | 42 | BB4R/L-35175-G075X | ■ | ■ | ■ | □ | □ |
| D h5 | Holder | Ø min | L1 | L2 | | E | T | B | C | L3 | Art. N° | ZTAF | ZTAXF | ZN | ZTAF | ZN |
| 6 | BH6... BHS6... BHY6... BHK6... | 4.0 | 12.0 | 20 | 18.5 | 1.00 | 0.80 | 3.80 | 2.20 | 47 | BB6R/L-40120-G100X | ■ | ■ | ■ | □ | □ |
| | | | 20.0 | 30 | 28.5 | 1.00 | 0.80 | 3.80 | 2.20 | 57 | BB6R/L-40200-G100X | ■ | ■ | ■ | □ | □ |
| | | 4.5 | 13.5 | 20 | 18.5 | 1.00 | 0.90 | 4.28 | 2.40 | 47 | BB6R/L-45135-G100X | ■ | ■ | ■ | □ | □ |
| | | | 15.0 | 20 | 18.5 | 1.50 | 0.90 | 4.28 | 2.40 | 47 | BB6R/L-45135-G150X ^{NEW} | ■ | ■ | ■ | □ | □ |
| | | 5.0 | 22.5 | 30 | 28.5 | 1.00 | 0.90 | 4.28 | 2.40 | 57 | BB6R/L-45225-G100X | ■ | ■ | ■ | □ | □ |
| | | | 15.0 | 20 | 18.5 | 1.50 | 1.00 | 4.75 | 2.50 | 47 | BB6R/L-45225-G150X ^{NEW} | ■ | ■ | ■ | □ | □ |
| | | 5.5 | 15.0 | 20 | 18.5 | 1.00 | 1.00 | 4.75 | 2.50 | 47 | BB6R/L-50150-G100X | ■ | ■ | ■ | □ | □ |
| | | | 15.0 | 20 | 18.5 | 1.50 | 1.00 | 4.75 | 2.50 | 47 | BB6R/L-50150-G150X ^{NEW} | ■ | ■ | ■ | □ | □ |
| | | 5.0 | 25.0 | 30 | 28.5 | 1.00 | 1.00 | 4.75 | 2.50 | 57 | BB6R/L-50150-G100X | ■ | ■ | ■ | □ | □ |
| | | | 15.0 | 20 | 18.5 | 1.50 | 1.00 | 4.75 | 2.50 | 57 | BB6R/L-50150-G150X ^{NEW} | ■ | ■ | ■ | □ | □ |
| | | 5.5 | 27.5 | 30 | 28.5 | 1.00 | 1.10 | 5.15 | 2.60 | 47 | BB6R/L-55165-G100X | ■ | ■ | ■ | □ | □ |
| | | | | | | 1.50 | 1.10 | 5.15 | 2.60 | 47 | BB6R/L-55165-G150X ^{NEW} | ■ | ■ | ■ | □ | □ |
| | | | | | | 2.00 | 1.10 | 5.15 | 2.60 | 47 | BB6R/L-55165-G200X ^{NEW} | ■ | ■ | ■ | □ | □ |
| | | | | | | 1.00 | 1.10 | 5.15 | 2.60 | 47 | BB6R/L-55275-G100X | ■ | ■ | ■ | □ | □ |
| | | 5.5 | 27.5 | 30 | 28.5 | 1.50 | 1.10 | 5.15 | 2.60 | 57 | BB6R/L-55275-G150X ^{NEW} | ■ | ■ | ■ | □ | □ |
| | | | | | | 2.00 | 1.10 | 5.15 | 2.60 | 57 | BB6R/L-55275-G200X ^{NEW} | ■ | ■ | ■ | □ | □ |

Gorge
Einstecken
Grooving



BF4... / BF6...

GX



| D h5 | Holder | Ø min | L1 | L2 | | E | T | B | C | L3 | Art. N° | R | | | L | | |
|------|---|-------|------|-------------------|--------------------|------|------|------|--------------------------------------|------|--------------------------------------|--------------------------------------|-------|----|------|----|---|
| | | | | BH4... BHY4... | BHS4... BHK4... | | | | | | | ZTAF | ZTAXF | ZN | ZTAF | ZN | |
| 4 | BH4... BHS4... BHY4... BHK4... | 3.0 | 9.0 | 15 | 13.5 | 0.50 | 0.60 | 2.70 | 1.45 | 37 | BF4R/L-3090-G050X | ■ | ■ | ■ | □ | □ | |
| | | | 15.0 | 20 | 18.5 | 0.50 | 0.60 | 2.70 | 1.45 | 42 | BF4R/L-30150-G050X | ■ | ■ | ■ | □ | □ | |
| | | 3.5 | 10.5 | 15 | 13.5 | 0.75 | 0.70 | 3.15 | 1.60 | 37 | BF4R/L-35105-G075X | ■ | ■ | ■ | □ | □ | |
| | | | 17.5 | 20 | 18.5 | 0.75 | 0.70 | 3.15 | 1.60 | 42 | BF4R/L-35175-G075X | ■ | ■ | ■ | □ | □ | |
| D h5 | Holder | Ø min | L1 | L2 | | E | T | B | C | L3 | Art. N° | ZTAF | ZTAXF | ZN | ZTAF | ZN | |
| 6 | BH6... BHS6... BHY6... BHK6... | 4.0 | 12.0 | 20 | 18.5 | 1.00 | 0.80 | 3.80 | 2.20 | 47 | BF6R/L-40120-G100X | ■ | ■ | ■ | □ | □ | |
| | | | 20.0 | 30 | 28.5 | 1.00 | 0.80 | 3.80 | 2.20 | 57 | BF6R/L-40200-G100X | ■ | ■ | ■ | □ | □ | |
| | | 4.5 | 13.5 | 20 | 18.5 | 1.00 | 0.90 | 4.28 | 2.40 | 47 | BF6R/L-45135-G100X | ■ | ■ | ■ | □ | □ | |
| | | | 22.5 | 30 | 28.5 | 1.50 | 0.90 | 4.28 | 2.40 | 57 | BF6R/L-45135-G150X NEW | ■ | ■ | ■ | □ | □ | |
| | | 5.0 | 15.0 | 20 | 18.5 | 1.00 | 1.00 | 4.75 | 2.50 | 47 | BF6R/L-45225-G100X | ■ | ■ | ■ | □ | □ | |
| | | | 25.0 | 30 | 28.5 | 1.50 | 1.00 | 4.75 | 2.50 | 57 | BF6R/L-45225-G150X NEW | ■ | ■ | ■ | □ | □ | |
| | | | 5.5 | 16.5 | 20 | 18.5 | 1.00 | 1.10 | 5.15 | 2.60 | 47 | BF6R/L-50150-G100X | ■ | ■ | ■ | □ | □ |
| | | | | 27.5 | 30 | 28.5 | 1.50 | 1.10 | 5.15 | 2.60 | 57 | BF6R/L-50150-G150X NEW | ■ | ■ | ■ | □ | □ |
| | | 5.5 | 16.5 | 20 | 18.5 | 1.50 | 1.10 | 5.15 | 2.60 | 47 | BF6R/L-50250-G100X | ■ | ■ | ■ | □ | □ | |
| | | | 25.0 | 30 | 28.5 | 2.00 | 1.10 | 5.15 | 2.60 | 57 | BF6R/L-50250-G150X NEW | ■ | ■ | ■ | □ | □ | |
| | | | 5.5 | 16.5 | 20 | 18.5 | 1.00 | 1.10 | 5.15 | 2.60 | 47 | BF6R/L-55165-G100X | ■ | ■ | ■ | □ | □ |
| | | | | 27.5 | 30 | 28.5 | 1.50 | 1.10 | 5.15 | 2.60 | 57 | BF6R/L-55165-G150X NEW | ■ | ■ | ■ | □ | □ |
| | | 5.5 | 16.5 | 20 | 18.5 | 1.00 | 1.10 | 5.15 | 2.60 | 47 | BF6R/L-55165-G200X NEW | ■ | ■ | ■ | □ | □ | |
| | | | 27.5 | 30 | 28.5 | 1.50 | 1.10 | 5.15 | 2.60 | 57 | BF6R/L-55165-G200X NEW | ■ | ■ | ■ | □ | □ | |
| | | 5.5 | 16.5 | 20 | 18.5 | 1.00 | 1.10 | 5.15 | 2.60 | 47 | BF6R/L-55275-G100X | ■ | ■ | ■ | □ | □ | |
| | | | 27.5 | 30 | 28.5 | 1.50 | 1.10 | 5.15 | 2.60 | 57 | BF6R/L-55275-G150X NEW | ■ | ■ | ■ | □ | □ | |
| 5.5 | 16.5 | 20 | 18.5 | 1.00 | 1.10 | 5.15 | 2.60 | 47 | BF6R/L-55275-G200X NEW | ■ | ■ | ■ | □ | □ | | | |
| | 27.5 | 30 | 28.5 | 1.50 | 1.10 | 5.15 | 2.60 | 57 | BF6R/L-55275-G200X NEW | ■ | ■ | ■ | □ | □ | | | |

IN-Line

Gorge

Einstecken

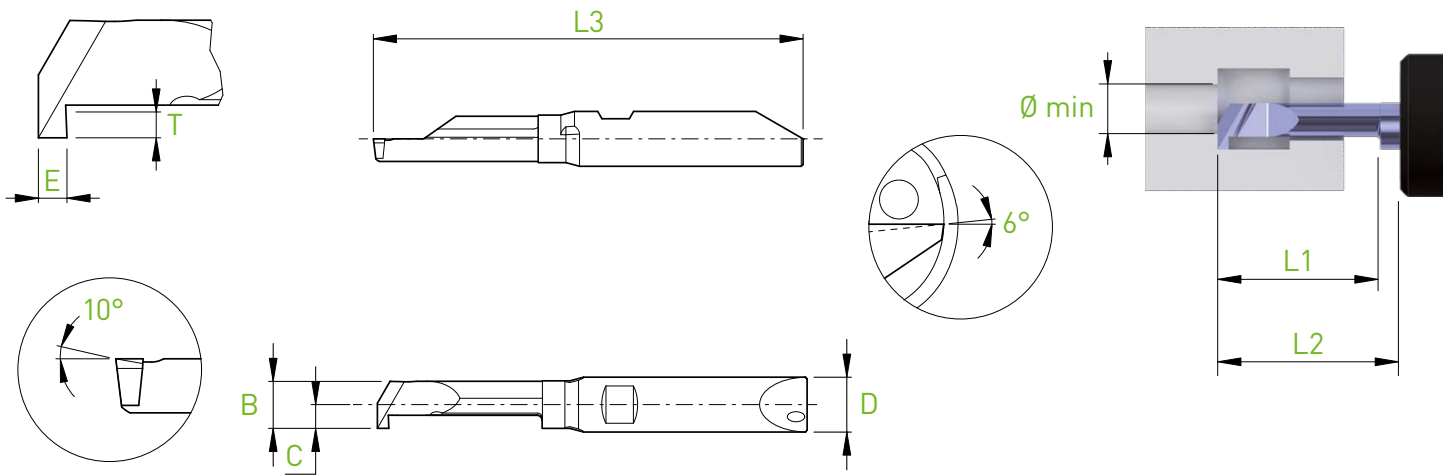
Grooving



BB4... / BB6...

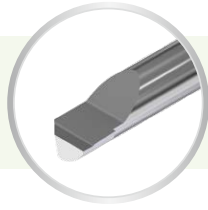
NEW

GTX



| D h5 | Holder | Ø min | L1 | L2 | | E | T | B | C | L3 | Art. N° | R | | L | | |
|------|---|-------|------|-------------------|--------------------|------|------|------|------|----------------------------|----------------------------|------|-------|----|------|----|
| | | | | BH4... BHY4... | BHS4... BHK4... | | | | | | | ZTAF | ZTAXF | ZN | ZTAF | ZN |
| 4 | BH4... BHS4... BHY4... BHK4... | 3.0 | 9.0 | 15 | 13.5 | 1.00 | 0.60 | 2.7 | 1.45 | 37 | BB4R/L-3090-GT100X | ■ | ■ | ■ | □ | □ |
| | | | 15.0 | 20 | 18.5 | 1.00 | 0.60 | 2.7 | 1.45 | 42 | BB4R/L-30150-GT100X | ■ | ■ | ■ | □ | □ |
| | 3.5 | 10.5 | 15 | 13.5 | 1.00 | 0.70 | 3.15 | 1.6 | 37 | BB4R/L-35105-GT100X | ■ | ■ | ■ | □ | □ | |
| | | 17.5 | 20 | 18.5 | 1.00 | 0.70 | 3.15 | 1.6 | 42 | BB4R/L-35175-GT100X | ■ | ■ | ■ | □ | □ | |
| | | | | | | | | | | | | | | | | |
| D h5 | Holder | Ø min | L1 | L2 | | E | T | B | C | L3 | Art. N° | ZTAF | ZTAXF | ZN | ZTAF | ZN |
| 6 | BH6... BHS6... BHY6... BHK6... | 4.0 | 14.0 | 20 | 18.5 | 1.25 | 0.80 | 3.8 | 2.2 | 47 | BB6R/L-40140-GT125X | ■ | ■ | ■ | □ | □ |
| | | | 22.0 | 30 | 28.5 | 1.25 | 0.80 | 3.8 | 2.2 | 57 | BB6R/L-40220-GT125X | ■ | ■ | ■ | □ | □ |
| | | 4.5 | 16.0 | 20 | 18.5 | 1.25 | 0.90 | 4.28 | 2.4 | 47 | BB6R/L-45160-GT125X | ■ | ■ | ■ | □ | □ |
| | | | 25.0 | 30 | 28.5 | 1.25 | 0.90 | 4.28 | 2.4 | 57 | BB6R/L-45250-GT125X | ■ | ■ | ■ | □ | □ |
| | | 5.0 | 17.5 | 20 | 18.5 | 1.25 | 1.00 | 4.75 | 2.5 | 47 | BB6R/L-50175-GT125X | ■ | ■ | ■ | □ | □ |
| | | | 27.5 | 30 | 28.5 | 1.25 | 1.00 | 4.75 | 2.5 | 57 | BB6R/L-50275-GT125X | ■ | ■ | ■ | □ | □ |
| | | 5.5 | 17.5 | 20 | 18.5 | 1.25 | 1.10 | 5.15 | 2.6 | 47 | BB6R/L-55175-GT125X | ■ | ■ | ■ | □ | □ |
| | | | 27.5 | 30 | 28.5 | 1.25 | 1.10 | 5.15 | 2.6 | 57 | BB6R/L-55275-GT125X | ■ | ■ | ■ | □ | □ |

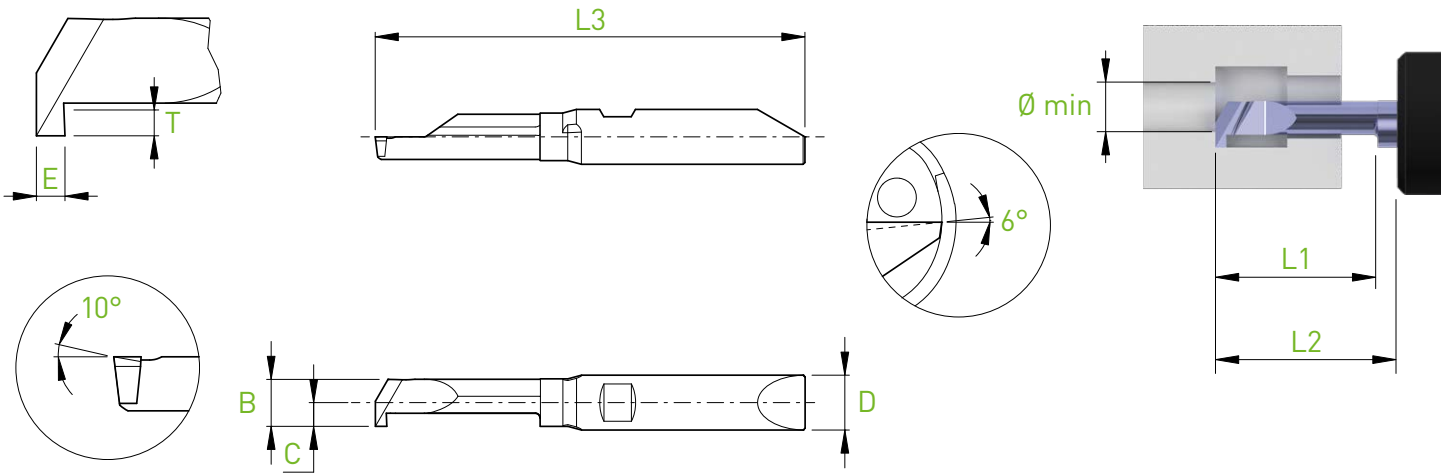
Gorge
Einstecken
Grooving



BF4... / BF6...

NEW

GTX



| D h5 | Holder | Ø min | L1 | L2 | | E | T | B | C | L3 | Art. N° | R | | L | | |
|------|---|-------|------|-------------------|--------------------|------|------|------|------|----------------------------|----------------------------|------|-------|----|------|----|
| | | | | BH4... BHY4... | BHS4... BHK4... | | | | | | | ZTAF | ZTAXF | ZN | ZTAF | ZN |
| 4 | BH4... BHS4... BHY4... BHK4... | 3.0 | 9.0 | 15 | 13.5 | 1.00 | 0.60 | 2.7 | 1.45 | 37 | BF4R/L-3090-GT100X | ■ | ■ | ■ | □ | □ |
| | | | 15.0 | 20 | 18.5 | 1.00 | 0.60 | 2.7 | 1.45 | 42 | BF4R/L-30150-GT100X | ■ | ■ | ■ | □ | □ |
| | 3.5 | 10.5 | 15 | 13.5 | 1.00 | 0.70 | 3.15 | 1.6 | 37 | BF4R/L-35105-GT100X | ■ | ■ | ■ | □ | □ | |
| | | 17.5 | 20 | 18.5 | 1.00 | 0.70 | 3.15 | 1.6 | 42 | BF4R/L-35175-GT100X | ■ | ■ | ■ | □ | □ | |
| D h5 | Holder | Ø min | L1 | L2 | L2 | E | T | B | C | L3 | Art. N° | ZTAF | ZTAXF | ZN | ZTAF | ZN |
| 6 | BH6... BHS6... BHY6... BHK6... | 4.0 | 14.0 | 20 | 18.5 | 1.25 | 0.80 | 3.8 | 2.2 | 47 | BF6R/L-40140-GT125X | ■ | ■ | ■ | □ | □ |
| | | | 22.0 | 30 | 28.5 | 1.25 | 0.80 | 3.8 | 2.2 | 57 | BF6R/L-40220-GT125X | ■ | ■ | ■ | □ | □ |
| | | 4.5 | 16.0 | 20 | 18.5 | 1.25 | 0.90 | 4.28 | 2.4 | 47 | BF6R/L-45160-GT125X | ■ | ■ | ■ | □ | □ |
| | | | 25.0 | 30 | 28.5 | 1.25 | 0.90 | 4.28 | 2.4 | 57 | BF6R/L-45250-GT125X | ■ | ■ | ■ | □ | □ |
| | | 5.0 | 17.5 | 20 | 18.5 | 1.25 | 1.00 | 4.75 | 2.5 | 47 | BF6R/L-50175-GT125X | ■ | ■ | ■ | □ | □ |
| | | | 27.5 | 30 | 28.5 | 1.25 | 1.00 | 4.75 | 2.5 | 57 | BF6R/L-50275-GT125X | ■ | ■ | ■ | □ | □ |
| | | 5.5 | 17.5 | 20 | 18.5 | 1.25 | 1.10 | 5.15 | 2.6 | 47 | BF6R/L-55175-GT125X | ■ | ■ | ■ | □ | □ |
| | | | 27.5 | 30 | 28.5 | 1.25 | 1.10 | 5.15 | 2.6 | 57 | BF6R/L-55275-GT125X | ■ | ■ | ■ | □ | □ |

IN-Line

Filetage

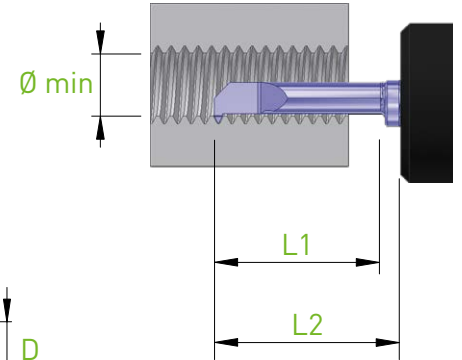
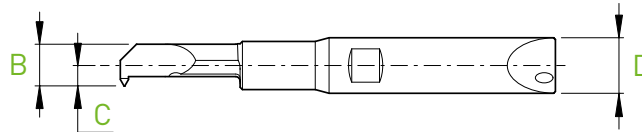
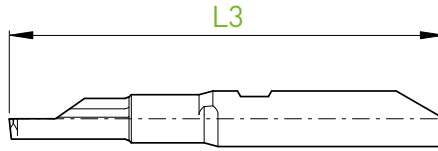
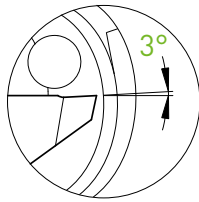
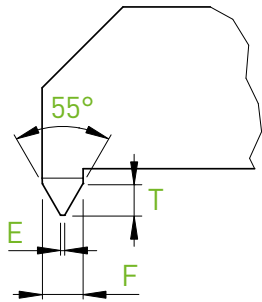
Gewindedrehen

Threading



BB4... / BB6...

TP60



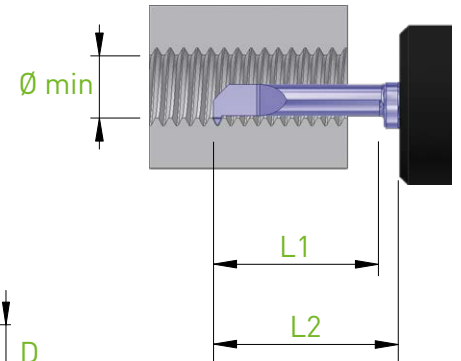
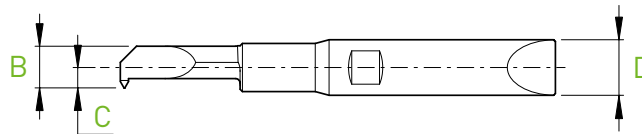
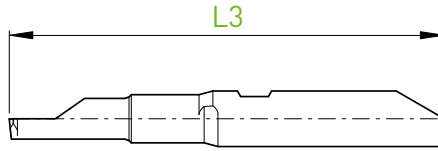
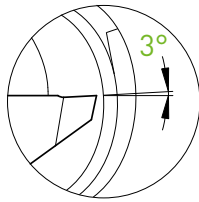
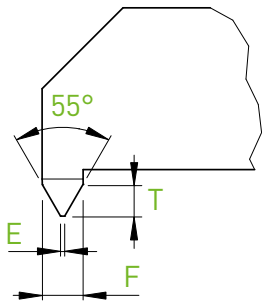
| | | | | | | | | | | | | | | R | | L | | |
|-----------------|---|-------|------|-------------------------|--------------------------|-----------|---------|------|----------------|------|------|------|----|--------------------------|------|----|------|----|
| D _{h5} | Holder | Ø min | L1 | L2 BH4... BHY4... | L2 BHS4... BHK4... | P (mm) | P (TPI) | F | E (0/-0.01) | T | B | C | L3 | Art. N° | ZTAF | ZN | ZTAF | ZN |
| 4 | BH4... BHS4... BHY4... BHK4... | 1.25 | 3.2 | 10 | 8.5 | 0.20-0.35 | 80 | 0.30 | 0.02 | 0.25 | 1.10 | 0.80 | 32 | BB4R/L-1232-TP60 | ■ | ■ | □ | □ |
| | | 1.6 | 4.0 | 10 | 8.5 | 0.25-0.40 | 72-64 | 0.35 | 0.03 | 0.28 | 1.41 | 0.90 | 32 | BB4R/L-1640-TP60 | ■ | ■ | □ | □ |
| | | 2.5 | 6.0 | 10 | 8.5 | 0.35-0.50 | 56-48 | 0.44 | 0.04 | 0.34 | 2.25 | 1.35 | 32 | BB4R/L-2560-TP60 | ■ | ■ | □ | □ |
| | | | 9.0 | 15 | 13.5 | 0.35-0.50 | 56-48 | 0.44 | 0.04 | 0.34 | 2.25 | 1.35 | 37 | BB4R/L-2590-TP60 | ■ | ■ | □ | □ |
| | | 3.3 | 8.0 | 15 | 13.5 | 0.50-0.75 | 40-36 | 0.62 | 0.06 | 0.48 | 2.97 | 1.50 | 37 | BB4R/L-3380-TP60 | ■ | ■ | □ | □ |
| | | | 12.0 | 15 | 13.5 | 0.50-0.75 | 40-36 | 0.62 | 0.06 | 0.48 | 2.97 | 1.50 | 37 | BB4R/L-33120-TP60 | ■ | ■ | □ | □ |
| D _{h5} | Holder | Ø min | L1 | L2 BH6... BHY6... | L2 BHS6... BHK6... | P (mm) | P (TPI) | F | E (0/-0.01) | T | B | C | L3 | Art. N° | ZTAF | ZN | ZTAF | ZN |
| 6 | BH6... BHS6... BHY6... BHK6... | 4.2 | 10.0 | 20 | 18.5 | 0.50-0.80 | 36-32 | 0.70 | 0.06 | 0.55 | 3.78 | 2.10 | 47 | BB6R/L-42100-TP60 | ■ | ■ | □ | □ |
| | | | 15.0 | 20 | 18.5 | 0.50-0.80 | 36-32 | 0.70 | 0.06 | 0.55 | 3.78 | 2.10 | 47 | BB6R/L-42150-TP60 | ■ | ■ | □ | □ |
| | | 5.0 | 12.0 | 20 | 18.5 | 0.75-1.00 | 28-24 | 0.89 | 0.09 | 0.69 | 4.50 | 2.20 | 47 | BB6R/L-50120-TP60 | ■ | ■ | □ | □ |
| | | | 18.0 | 20 | 18.5 | 0.75-1.00 | 28-24 | 0.89 | 0.09 | 0.69 | 4.50 | 2.20 | 47 | BB6R/L-50180-TP60 | ■ | ■ | □ | □ |

Filetage
Gewindedrehen
Threading



BF4... / BF6...

TP60



| | | | | | | | | | | | | | | R | | L | | |
|-----------------|---|-------|------|-------------------------|--------------------------|-----------|---------|------|----------------|------|------|------|----|--------------------------|------|----|------|----|
| D _{h5} | Holder | Ø min | L1 | L2 BH4... BHY4... | L2 BHS4... BHK4... | P (mm) | P (TPI) | F | E (0/-0.01) | T | B | C | L3 | Art. N° | ZTAF | ZN | ZTAF | ZN |
| 4 | BH4... BHS4... BHY4... BHK4... | 1.25 | 3.2 | 10 | 8.5 | 0.20-0.35 | 80 | 0.30 | 0.02 | 0.25 | 1.10 | 0.80 | 32 | BF4R/L-1232-TP60 | ■ | ■ | □ | □ |
| | | 1.6 | 4.0 | 10 | 8.5 | 0.25-0.40 | 72-64 | 0.35 | 0.03 | 0.28 | 1.41 | 0.90 | 32 | BF4R/L-1640-TP60 | ■ | ■ | □ | □ |
| | | 2.5 | 6.0 | 10 | 8.5 | 0.35-0.50 | 56-48 | 0.44 | 0.04 | 0.34 | 2.25 | 1.35 | 32 | BF4R/L-2560-TP60 | ■ | ■ | □ | □ |
| | | | 9.0 | 15 | 13.5 | 0.35-0.50 | 56-48 | 0.44 | 0.04 | 0.34 | 2.25 | 1.35 | 37 | BF4R/L-2590-TP60 | ■ | ■ | □ | □ |
| | | 3.3 | 8.0 | 15 | 13.5 | 0.50-0.75 | 40-36 | 0.62 | 0.06 | 0.48 | 2.97 | 1.50 | 37 | BF4R/L-3380-TP60 | ■ | ■ | □ | □ |
| | | | 12.0 | 15 | 13.5 | 0.50-0.75 | 40-36 | 0.62 | 0.06 | 0.48 | 2.97 | 1.50 | 37 | BF4R/L-33120-TP60 | ■ | ■ | □ | □ |
| D _{h5} | Holder | Ø min | L1 | L2 BH6... BHY6... | L2 BHS6... BHK6... | P (mm) | P (TPI) | F | E (0/-0.01) | T | B | C | L3 | Art. N° | ZTAF | ZN | ZTAF | ZN |
| 6 | BH6... BHS6... BHY6... BHK6... | 4.2 | 10.0 | 20 | 18.5 | 0.50-0.80 | 36-32 | 0.70 | 0.06 | 0.55 | 3.78 | 2.10 | 47 | BF6R/L-42100-TP60 | ■ | ■ | □ | □ |
| | | | 15.0 | 20 | 18.5 | 0.50-0.80 | 36-32 | 0.70 | 0.06 | 0.55 | 3.78 | 2.10 | 47 | BF6R/L-42150-TP60 | ■ | ■ | □ | □ |
| | | 5.0 | 12.0 | 20 | 18.5 | 0.75-1.00 | 28-24 | 0.89 | 0.09 | 0.69 | 4.50 | 2.20 | 47 | BF6R/L-50120-TP60 | ■ | ■ | □ | □ |
| | | | 18.0 | 20 | 18.5 | 0.75-1.00 | 28-24 | 0.89 | 0.09 | 0.69 | 4.50 | 2.20 | 47 | BF6R/L-50180-TP60 | ■ | ■ | □ | □ |

IN-Line

Filetage

Gewindedrehen

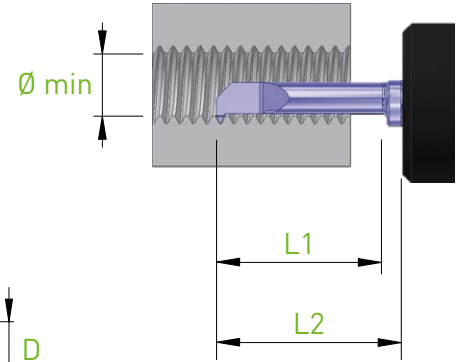
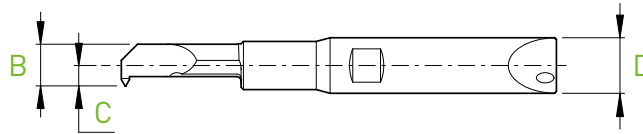
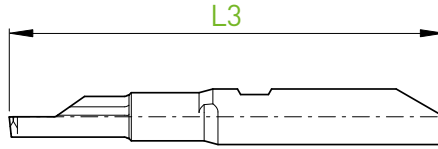
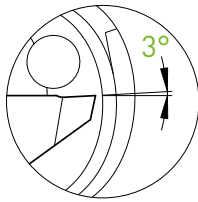
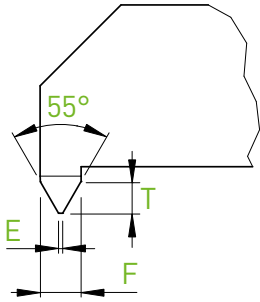
Threading



BB4... / BB6...

NEW

TP55



| D _{h5} | Holder | Ø min | L1 | L2 BH4... BHY4... | L2 BHS4... BHK4... | P (TPI) | F | E (0/-0.02) | T | B | C | L3 | Art. N° | R | | L | |
|-----------------|--------------------|-------|------|-------------------------|--------------------------|------------|------|----------------|------|------|------|----|--------------------------|------|----|------|----|
| | | | | | | | | | | | | | | ZTAF | ZN | ZTAF | ZN |
| 4 | BH4... | 1.85 | 4.5 | 10 | 8.5 | 48 | 0.54 | 0.09 | 0.44 | 1.67 | 0.97 | 32 | BB4R/L-1845-TP55 | ■ | ■ | □ | □ |
| | BHS4... | | | | | | | | | | | | | | | | |
| | BHY4... BHK4... | 2.55 | 6.0 | 10 | 8.5 | 40 | 0.64 | 0.10 | 0.52 | 2.25 | 1.35 | 32 | BB4R/L-2560-TP55 | ■ | ■ | □ | □ |
| D _{h5} | Holder | Ø min | L1 | L2 BH6... BHY6... | L2 BHS6... BHK6... | P (TPI) | F | E (0/-0.02) | T | B | C | L3 | Art. N° | ZTAF | ZN | ZTAF | ZN |
| 6 | BH6... | 3.70 | 11.0 | 20 | 18.5 | 32-24 | 1.08 | 0.13 | 0.91 | 3.33 | 1.83 | 47 | BB6R/L-37110-TP55 | ■ | ■ | □ | □ |
| | BHS6... | 5.10 | 15.0 | 20 | 18.5 | 26-20 | 1.30 | 0.16 | 1.09 | 4.60 | 2.05 | 47 | BB6R/L-51150-TP55 | ■ | ■ | □ | □ |
| | BHY6... BHK6... | 5.50 | 16.0 | 20 | 18.5 | 22-16 | 1.48 | 0.19 | 1.24 | 5.15 | 2.60 | 47 | BB6R/L-55160-TP55 | ■ | ■ | □ | □ |

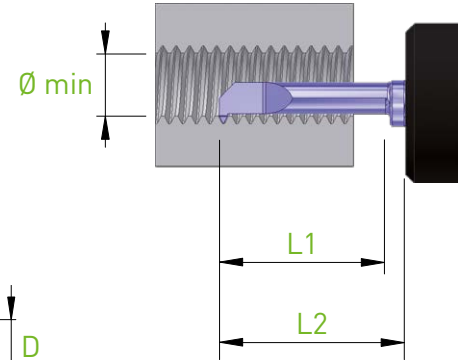
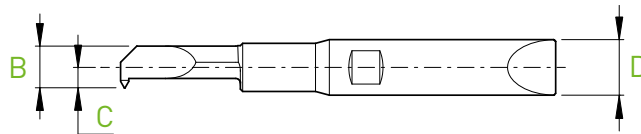
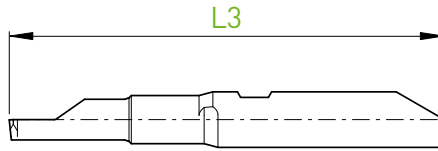
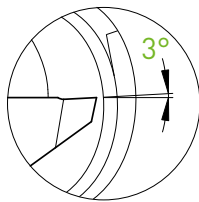
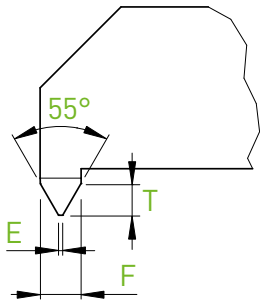
Filetage
Gewindedrehen
Threading



BF4... / BF6...

NEW

TP55



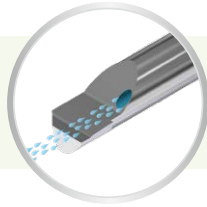
| D _{h5} | Holder | Ø min | L1 | L2 BH4... BHY4... | L2 BHS4... BHK4... | P (TPI) | F | E (0/-0.02) | T | B | C | L3 | Art. N° | R | | L | |
|-----------------|---------|-------|------|-------------------------|--------------------------|------------|------|----------------|------|------|------|----|--------------------------|------------|----|------------|----|
| | | | | | | | | | | | | | | ZTAF ZN | ZN | ZTAF ZN | ZN |
| 4 | BH4... | 1.85 | 4.5 | 10 | 8.5 | 48 | 0.54 | 0.09 | 0.44 | 1.67 | 0.97 | 32 | BF4R/L-1845-TP55 | ■ | ■ | □ | □ |
| | BHS4... | 2.55 | 6.0 | 10 | 8.5 | 40 | 0.64 | 0.10 | 0.52 | 2.25 | 1.35 | 32 | BF4R/L-2560-TP55 | ■ | ■ | □ | □ |
| | BHY4... | | | | | | | | | | | | | | | | |
| BHK4... | | | | | | | | | | | | | | | | | |
| D _{h5} | Holder | Ø min | L1 | L2 BH6... BHY6... | L2 BHS6... BHK6... | P (TPI) | F | E (0/-0.02) | T | B | C | L3 | Art. N° | ZTAF ZN | ZN | ZTAF ZN | ZN |
| 6 | BH6... | 3.70 | 11.0 | 20 | 18.5 | 32-24 | 1.08 | 0.13 | 0.91 | 3.33 | 1.83 | 47 | BF6R/L-37110-TP55 | ■ | ■ | □ | □ |
| | BHS6... | 5.10 | 15.0 | 20 | 18.5 | 26-20 | 1.30 | 0.16 | 1.09 | 4.60 | 2.05 | 47 | BF6R/L-51150-TP55 | ■ | ■ | □ | □ |
| | BHY6... | 5.50 | 16.0 | 20 | 18.5 | 22-16 | 1.48 | 0.19 | 1.24 | 5.15 | 2.60 | 47 | BF6R/L-55160-TP55 | ■ | ■ | □ | □ |
| | BHK6... | | | | | | | | | | | | | | | | |

IN-Line

Filetage

Gewindedrehen

Threading



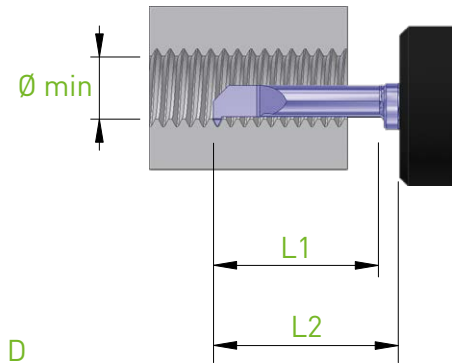
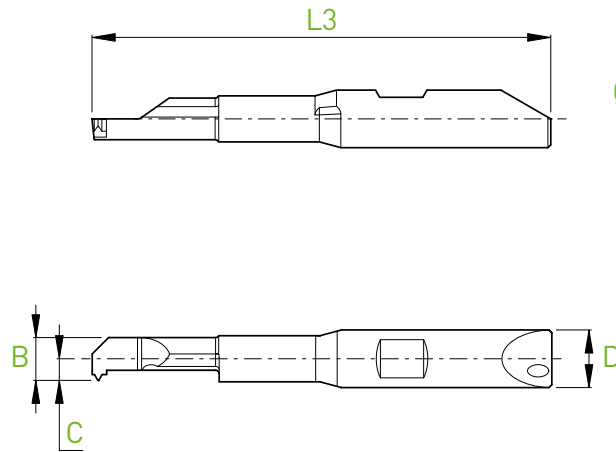
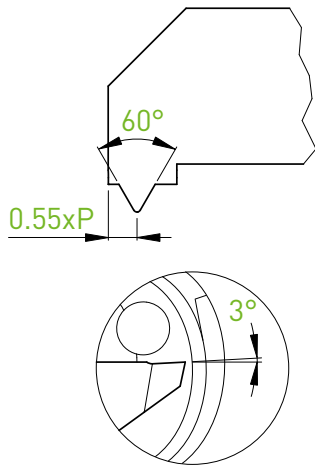
BB4... / BB6...

TM

Profil complet métrique

Vollprofil metrisch

Full profile metric



R

| D _{h5} | Holder | M (min) | Ø min | P (mm) | L1 | L2 BH4... BHY4... | L2 BHS4... BHK4... | B | C | L3 | Art. N° | ZTAF | ZN |
|-----------------|---|---------|-------|--------|------|-------------------------|--------------------------|------|------|----|---------------------------|------|----|
| 4 | BH4... BHS4... BHY4... BHK4... | M3x0.5 | 2.50 | 0.50 | 6.0 | 10 | 8.5 | 2.25 | 1.35 | 32 | BB4R-2560-TM-0.50 | ■ | ■ |
| | | M4x0.7 | 3.30 | 0.70 | 8.0 | 15 | 13.5 | 2.97 | 1.50 | 37 | BB4R-3380-TM-0.70 | ■ | ■ |
| D _{h5} | Holder | M (min) | Ø min | P (mm) | L1 | L2 BH6... BHY6... | L2 BHS6... BHK6... | B | C | L3 | Art. N° | ZTAF | ZN |
| 6 | BH6... BHS6... BHY6... BHK6... | M5x0.8 | 4.20 | 0.80 | 10.0 | 20 | 18.5 | 3.78 | 2.10 | 47 | BB6R-42100-TM-0.80 | ■ | ■ |
| | | M6x1.0 | 5.00 | 1.00 | 12.0 | 20 | 18.5 | 4.50 | 2.20 | 47 | BB6R-50120-TM-1.00 | ■ | ■ |

Filetage

Gewindedrehen

Threading



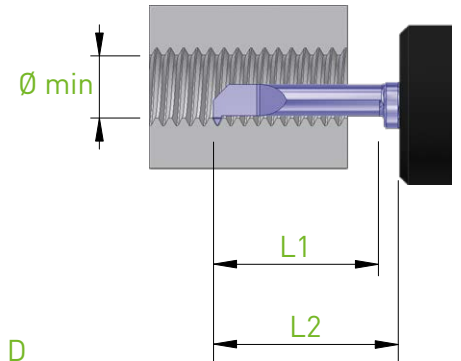
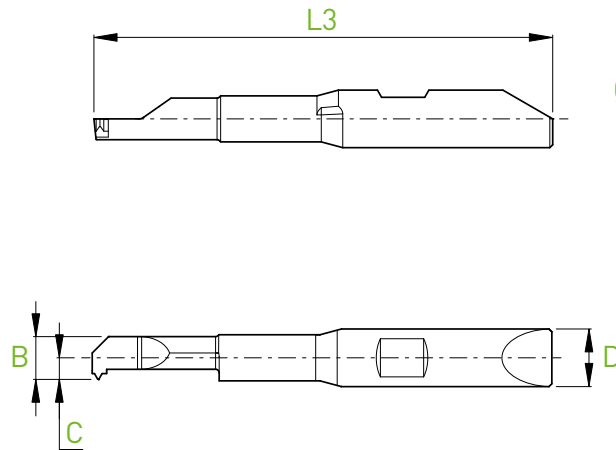
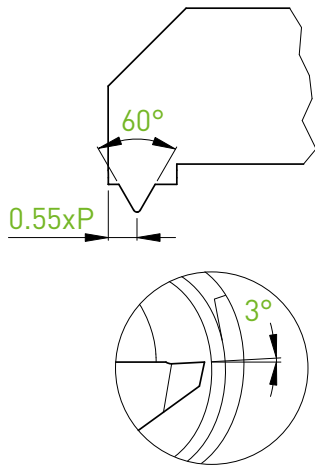
BF4... / BF6...

TM

Profil complet métrique

Vollprofil metrisch

Full profile metric



R

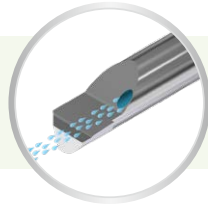
| D _{h5} | Holder | M (min) | Ø min | P (mm) | L1 | L2 BH4... BHY4... | L2 BHS4... BHK4... | B | C | L3 | Art. N° | ZTAF | ZN |
|-----------------|--------------------|---------|-------|--------|------|-------------------------|--------------------------|------|------|----|--------------------|------|----|
| 4 | BH4... | M3x0.5 | 2.50 | 0.50 | 6.0 | 10 | 8.5 | 2.25 | 1.35 | 32 | BF4R-2560-TM-0.50 | ■ | ■ |
| | BHS4... | | | | | | | | | | | | |
| | BHY4... BHK4... | M4x0.7 | 3.30 | 0.70 | 8.0 | 15 | 13.5 | 2.97 | 1.50 | 37 | BF4R-3380-TM-0.70 | ■ | ■ |
| D _{h5} | Holder | M (min) | Ø min | P (mm) | L1 | L2 BH6... BHY6... | L2 BHS6... BHK6... | B | C | L3 | Art. N° | ZTAF | ZN |
| 6 | BH6... | M5x0.8 | 4.20 | 0.80 | 10.0 | 20 | 18.5 | 3.78 | 2.10 | 47 | BF6R-42100-TM-0.80 | ■ | ■ |
| | BHS6... | | | | | | | | | | | | |
| | BHY6... BHK6... | M6x1.0 | 5.00 | 1.00 | 12.0 | 20 | 18.5 | 4.50 | 2.20 | 47 | BF6R-50120-TM-1.00 | ■ | ■ |

IN-Line

Gorge frontale extérieure

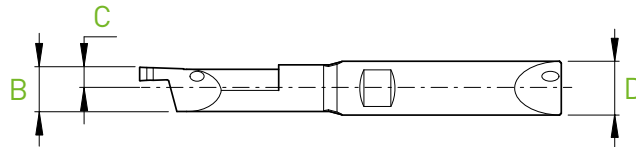
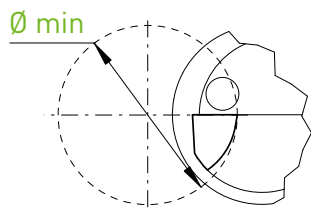
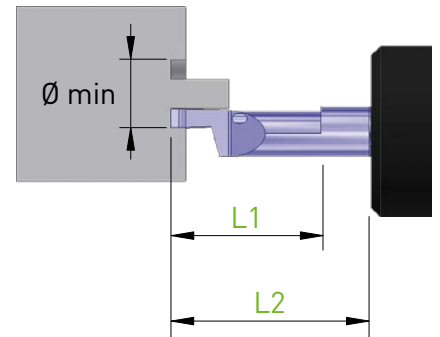
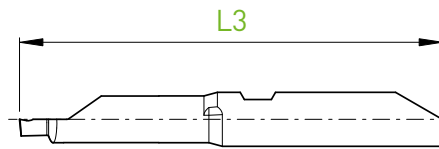
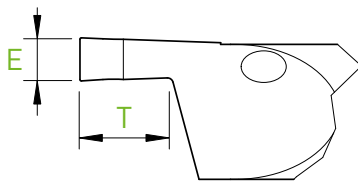
Aussen axiales stechen

External axial grooving



BB6...

FEG



R

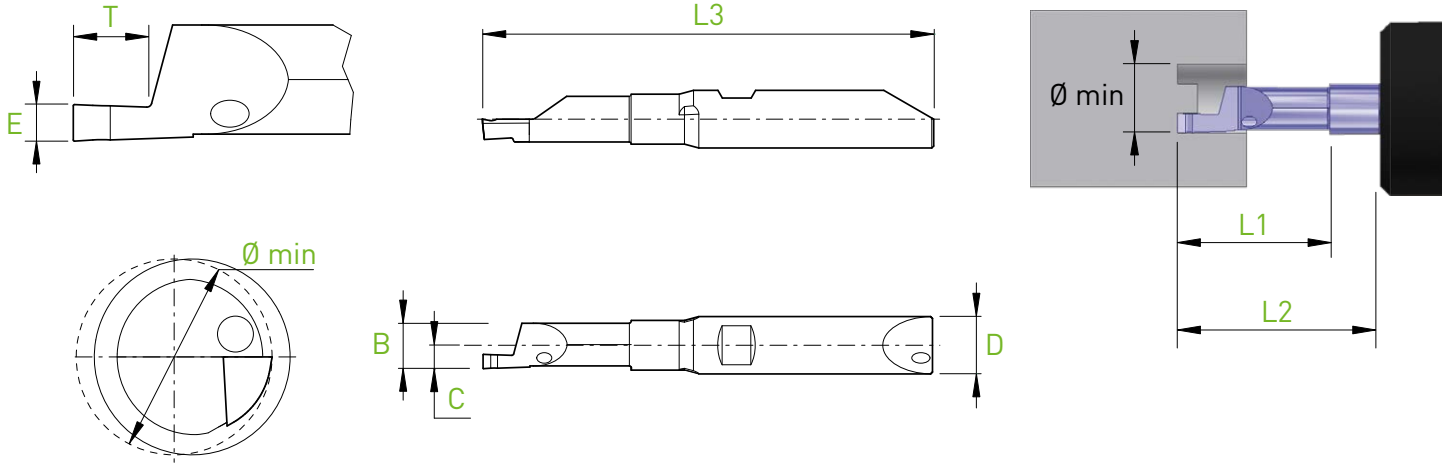
| D h5 | Holder | Ø min | L1 | L2 BH6... BHY6... | L2 BHS6... BHK6... | T | B | C | E | L3 | Art. N° | ZTAF | ZN |
|------|---|-------|------|-------------------------|--------------------------|------|------|------|------|----|---------------------------|------|----|
| 6 | BH6... BHS6... BHY6... BHK6... | 5.0 | 15.0 | 20 | 18.5 | 3.00 | 4.90 | 2.30 | 1.50 | 47 | BB6R-50150-FEG150X | ■ | ■ |

Gorge frontale intérieure
 Innen axiales stechen
 Internal axial grooving



BB6...

FIG



R

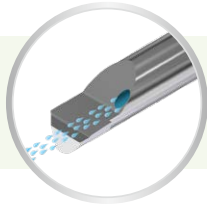
| D _{h5} | Holder | Ø min | L1 | L2 BH6... BHY6... | L2 BHS6... BHK6... | T | B | C | E | L3 | Art. N° | ZTAF | ZN |
|-----------------|---|-------|------|-------------------------|--------------------------|------|------|------|------|----|--------------------|------|----|
| 6 | BH6... BHS6... BHY6... BHK6... | 5.0 | 15.0 | 20 | 18.5 | 3.00 | 4.75 | 2.45 | 1.50 | 47 | BB6R-50150-FIG150X | ■ | ■ |

IN-Line

Ebauches avec arrosage

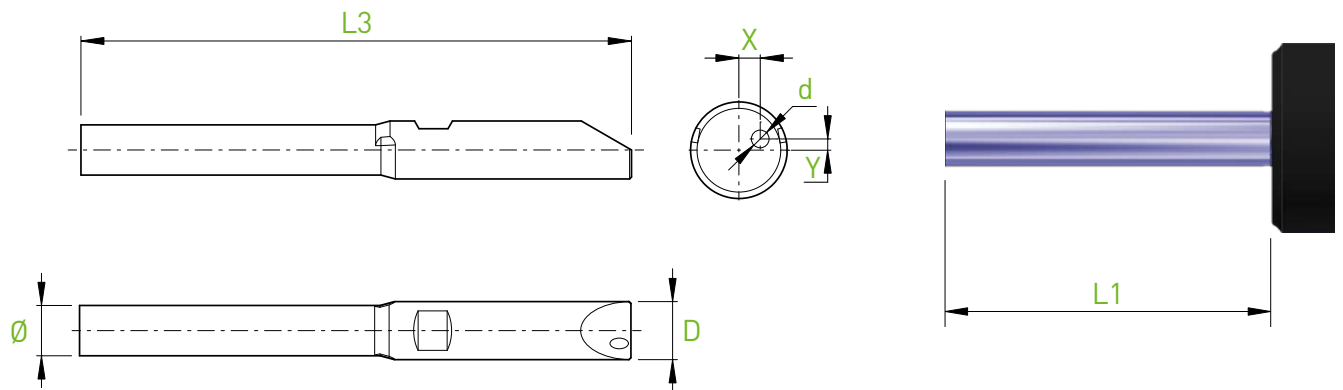
Rohlinge mit Kühlung

Blanks with coolant



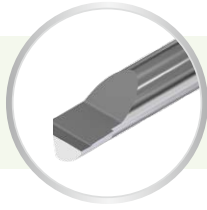
BB4... / BB6...

BB_E



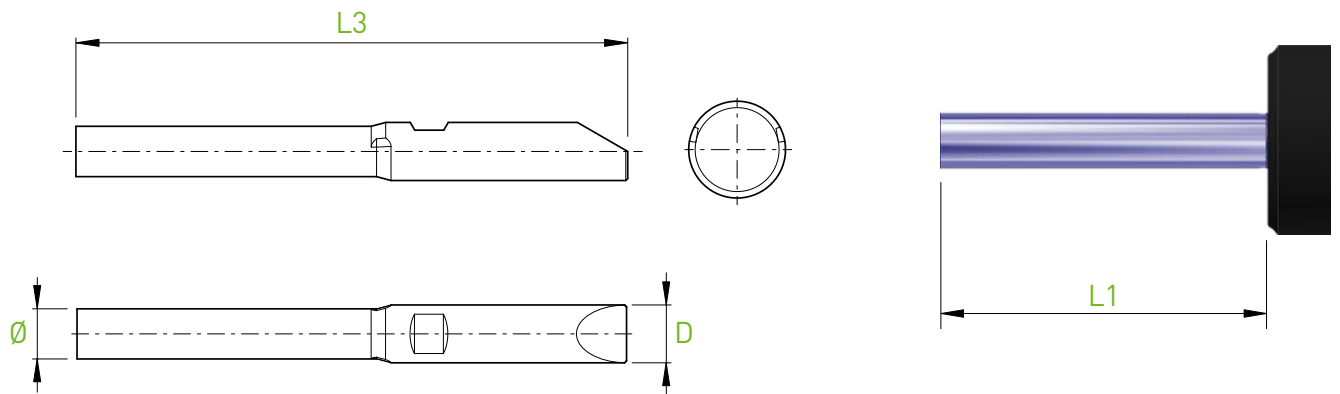
| D h5 | Holder | L1 BH4... BHY4... | L1 BHS4... BHK4... | Ø | X | Y | d | L3 | Art. N° | NZ |
|------|---|-------------------------|--------------------------|------|------|------|------|----|----------|----|
| 4 | BH4... BHS4... BHY4... BHK4... | 20.0 | 18.5 | 3.20 | 0.84 | 0.55 | 0.85 | 42 | BB4R-E42 | ■ |
| D h5 | Holder | L1 BH6... BHY6... | L1 BHS6... BHK6... | Ø | X | Y | d | L3 | Art. N° | NZ |
| 6 | BH6... BHS6... BHY6... BHK6... | 30.0 | 28.5 | 5.20 | 1.33 | 0.70 | 1.10 | 57 | BB6R-E57 | ■ |

Ebauches
Rohlinge
Blanks



BF4... / BF6...

BF_E



| D _{h5} | Holder | L1 BH4... BHY4... | L1 BHS4... BHK4... | Ø | L3 | Art. N° | ZN |
|-----------------|---|-------------------------|--------------------------|------|----|----------------|----|
| 4 | BH4... BHS4... BHY4... BHK4... | 20.0 | 18.5 | 3.20 | 42 | BF4-E42 | ■ |
| D _{h5} | Holder | L1 BH6... BHY6... | L1 BHS6... BHK6... | Ø | L3 | Art. N° | ZN |
| 6 | BH6... BHS6... BHY6... BHK6... | 30.0 | 28.5 | 5.20 | 57 | BF6-E57 | ■ |

IN-Line

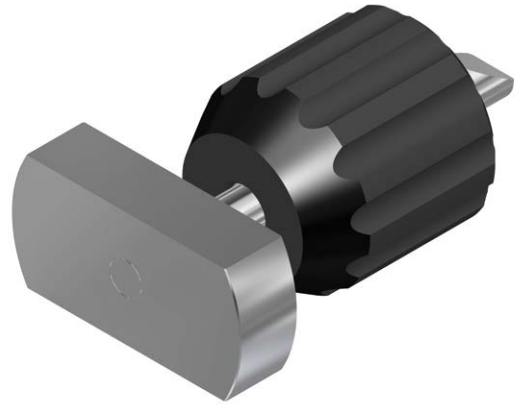
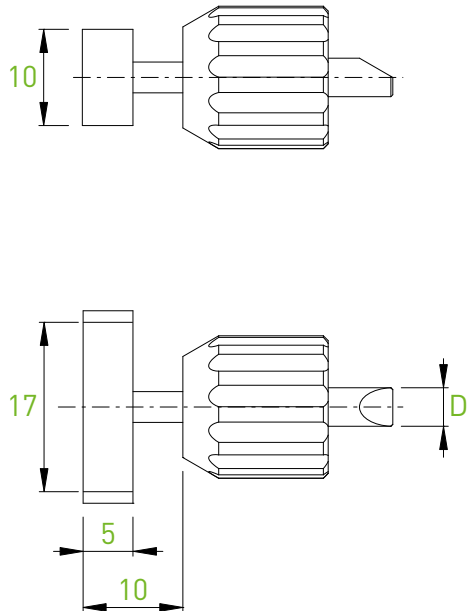
Jauges d'alignement

Richtplatten

Adjusting tools

MASTER

BH4 / BH6



| D h5 | Art. N° | |
|------|------------|---|
| 4 | BH4-MASTER | ■ |
| 6 | BH6-MASTER | ■ |

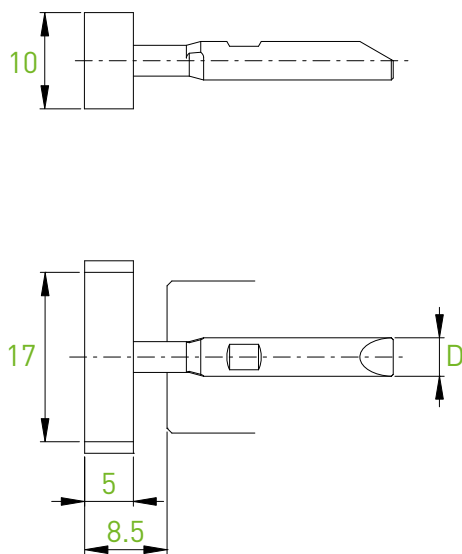
Jauges d'alignement

Richtplatten

Adjusting tools

MASTER

BHSY...



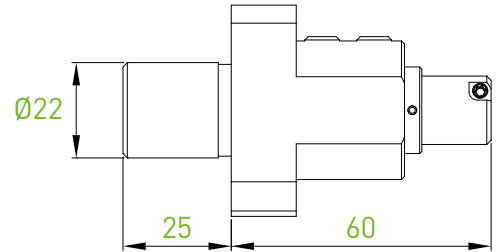
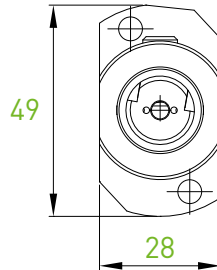
| D h5 | Art. N° | |
|------|--------------|---|
| 4 | BHSY4-MASTER | ■ |
| 6 | BHSY6-MASTER | ■ |

Porte-outils avec arrosage pour contre-opération - Machines STAR

Halter mit Kühlungssystem zur Gegenbearbeitung – STAR-Maschinen **BH4 / BH6**

Backworking holders with through coolant – STAR-Machines

NEW



Art. N°

BWD1-2022-STAR-SRR

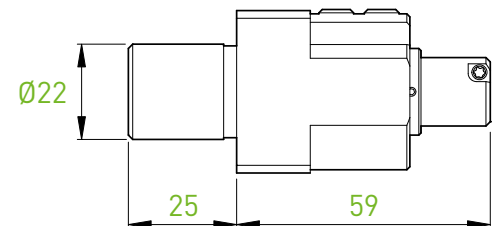
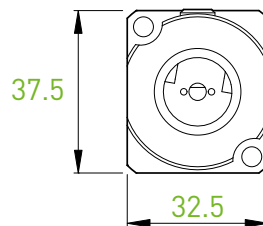
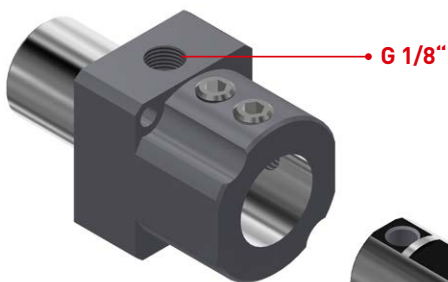
Art. N°

BHS4-D20-55-BWD1

BHS6-D20-55-BWD1

Types of STAR machines

SR10J (T22+T24)
 SB16/20 Types C + D + E (T21-T24)
 SB20R Types E + G + N (T21-T24)
 SR20J / JN (T21-T24)
 SR20R / II / III (T21-T24)
 SR20R IV (T21-T24)
 SR32J/JN (T21-T24)
 SW12RII (T21-T24)
 SV20R (T21-T24)
 ECAS12/20 (T21-T24)
 SW20 (T21-T23)



Art. N°

BWD1-2022-STAR-SRR

Art. N°

BHS4-D20-55-BWD1

BHS6-D20-55-BWD1

Types of STAR machines

SW12RII (T21-T28)
 SW20 (T21-T23 + T25-T27)
 SV20R (T21-T28)
 SR-20R IV (T21-T28)
 SB12/20R (T22-T24)
 SR38 (T21-T28)

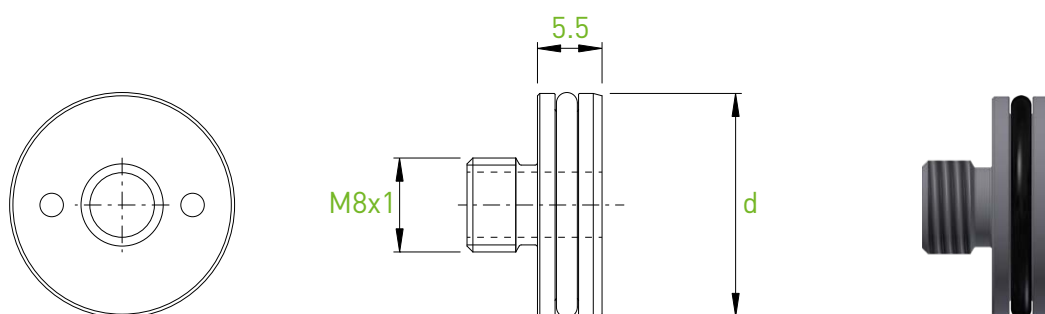
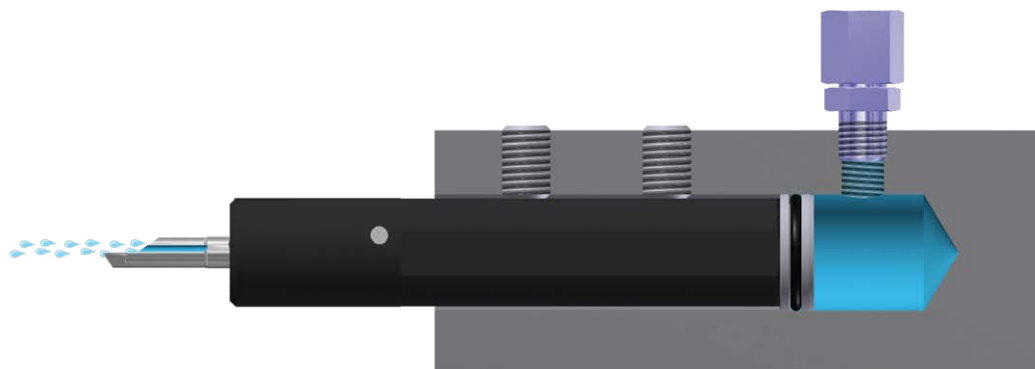
IN-Line

Bagues d'étanchéité

Dichtungsringe

Sealing rings

JB



| d | Art. N° | |
|-------|----------------|---|
| 19.05 | JB-M8x1-D19.05 | ■ |
| 20 | JB-M8x1-D20 | ■ |
| 22 | JB-M8x1-D22 | ■ |
| 25 | JB-M8x1-D25 | ■ |
| 25.4 | JB-M8x1-D25.4 | ■ |

APPLITEC

SWISS TOOLING

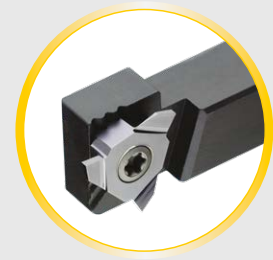
BROCHURES AUTRES GAMMES DE PRODUITS



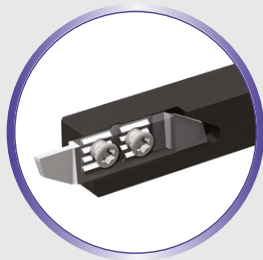
TOP-Line



TOP-Watch



TRIO-Line



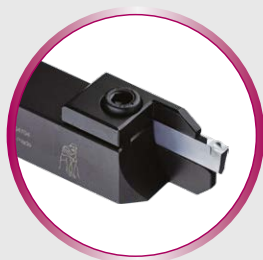
PRO-Line



ECO-Line



ISO-Line



CUT-Line



TURN-Line



MODU-Line



TOOLING-Line



MICRO-Line



CIRCO-Line

PERFORMANCE | PRECISION | RIGIDITY



SWISS MADE

APPLITEC

SWISS TOOLING



Applitec Moutier S.A.
Ch. Nicolas-Junker 2
CH-2740 Moutier

Tél. +41 32 494 60 20
Fax +41 32 493 42 60
www.applitec-tools.com